

2 x STAZ with QT + crane boom

## Spreader Bar QT

**For double clamps, for fitting both single clamps.**

Fixed model with set distance between the two clamps (QT model).

The spreader bar is firmly bolted to the clamps, yet is flexible beared in the driving direction and is fixed with individual swing dampers via rubber buffers.

Also available with hydraulic distance adjustment of the two clamps so that the distance between the packs is reduced and space is secured in the storage area (QT-H and QT-HL models).

| Type         | Dead Weight kg (lbs) | Working Load Limit/WLL kg (lbs) | Shifting mm (in)  | Order-Number    |
|--------------|----------------------|---------------------------------|-------------------|-----------------|
| <b>QT</b>    | 190 (420)            | 6,500 – 9,500 (14,300 – 20,900) | 0                 | <b>47100037</b> |
| <b>QT-H</b>  | 300 (660)            | 6,500 – 9,500 (14,300 – 20,900) | 0 – 400 (0 – 15¾) | <b>47130019</b> |
| <b>QT-HL</b> | 320 (710)            | 6,500 – 9,500 (14,300 – 20,900) | 0 – 640 (0 – 25¼) | <b>47130016</b> |

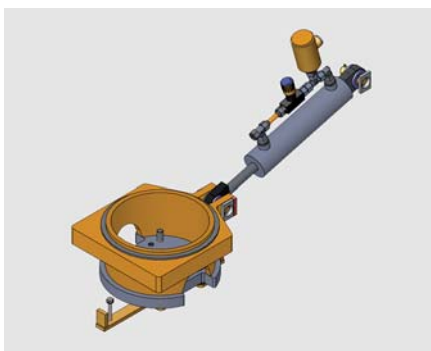


DK-506

## Hydraulic Rotator

**Fitted between the clamp and the fork sleeves/crane boom, enabling stacks to be lifted and deposited, according to requirements.**

| Type           | Dead Weight kg (lbs) | Working Load Limit/WLL kg (lbs) | Angle Pivoting-/Rotation Angle °Degree | Order-Number    |
|----------------|----------------------|---------------------------------|--|-----------------|
| <b>DK-506</b>  | 42 (95)              | 6,000 (13,200)                  | 360                                    | <b>47150080</b> |
| <b>GV-12-2</b> | 56 (125)             | 7,500 (16,500)                  | 360                                    | <b>47150055</b> |



PD-S-506

## Hydraulic Swing Damper PD

**Fitted to control the swinging movements of the clamp when the fork lift is in motion.**

Damper is longitudinally to the direction of travel by means of a hydraulic damping cylinder and diagonally to the direction of travel by means of rubber buffers. PD-V heavy-duty design with 2 damper cylinders arranged in V-stage.

| Type            | Dead Weight kg (lbs) | Order-Number    |
|-----------------|----------------------|-----------------|
| <b>PD-S-506</b> | 45 (100)             | <b>47140009</b> |
| <b>PD-V</b>     | 70 (155)             | <b>47100042</b> |