

### Ergonomic Vacuum Control Unit BE-ERGOSPRINT – Picking up and laying in an upright posture

- The new ergonomic operating valve unit for mounting on all HE lifting units and vacuum hose lifters, including JUMBOMOBILJM-VARIO and TRANSMOBIL TM.
- No more bending over when picking up, moving and laying the concrete element
- Control of suction and release via rotary handle on the right handle
- Handle can be locked in the uppermost position
- Greater safety clearance to paving material

Type	For use with	Dead Weight lbs (kg)	Order-Number
BE-ERGOSPRINT	HE-35 up to HE-250	30 (13)	42101305



BE-ERGOSPRINT on TRANSMOBIL TM

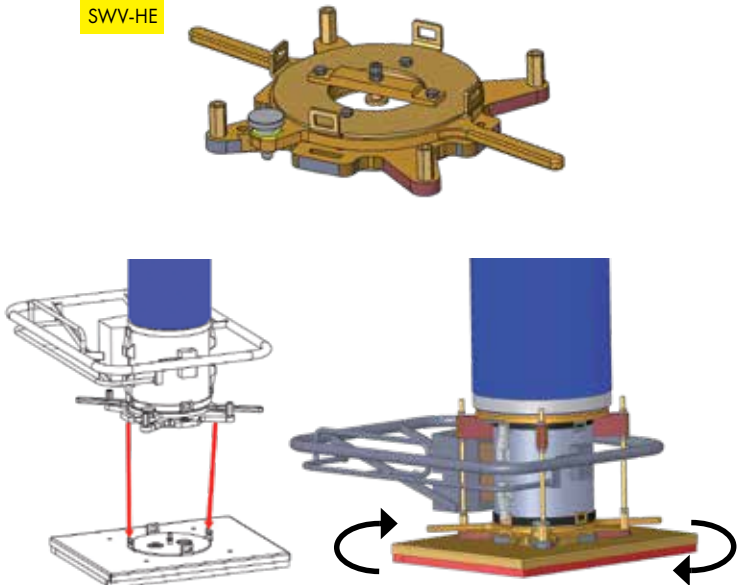
### Quick Change Device SWV-HE – Easy suction plate changing with a twisting motion

The SWV-HE quick change device greatly simplifies suction plate changing on the construction site, which is often required.

- Faster suction plate changing with a simple twisting motion
- Suitable for all lifting hose units from HE-35 to HE-250
- Easy operation, no inconvenient screwing of adapters required
- Operating errors no longer possible
- When using lifting hose units HE-200 and He-250, the lifting hose unit is fitted directly to the SWV-HE quick change device by means of 4 tension rods (threaded rods)

Type		Working Load Limit WLL lbs (kg)	Dead Weight lbs (kg)	Order-Number
SWV-HE ①	Quick Change Device	550 (250)	8 (3.8)	42101026

SWV-HE



① Durable surface protection by galvanizing