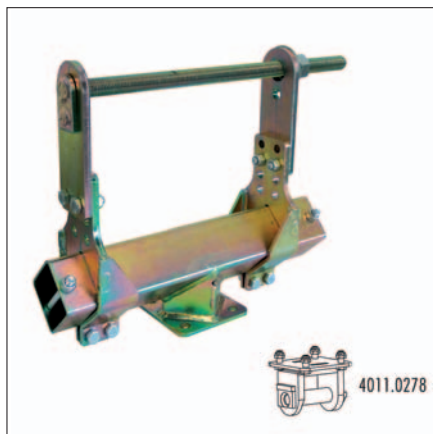


Adapter suspension Lehnhoff LSW for HVZ-GENIUS-II / HVZ-ECO

By using the LSW, the HVZ-GENIUS-II/HVZ-ECO can be fitted to all kind of excavators which are equipped with the Lehnhoff quick-change-device.

LSW



Universal-Excavator-Suspension UBA

Suitable for most current excavators, maximum bolt diameter up to 70 mm, incl. adapter set of spacer sleeves.

Advantage: The HVZ can be quickly and easily fastened to any excavator.

Hydraulic connection hoses to connect the HVZ to the carrier.

Connection: 12 L Cutting Ring.

2 Hoses are necessary per machine.

UBA-1200

Type	Description	Dead Weight kg (lbs)	Working Load Limit/WLL kg (lbs)	Order-Number
LSW-MS-01	Suitable for Lehnhoff-Type MS-01	19 (40)	800 (1,760)	40110178
LSW-MS-03	Suitable for Lehnhoff-Type MS-03	29 (65)	1,000 (2,210)	40110268
LSW-MS-08	Suitable for Lehnhoff-Type MS/HM 08	75 (165)	1,000 (2,210)	40110269
LSW-MS-03 + MS-08	Suitable for Lehnhoff-Type MS-03 and MS-08	49 (110)	1,000/1,000 (2,210 / 2,210)	40110434
LSW-MS-01 + MS-03	Suitable for Lehnhoff-Type MS-01 and MS-03	19 (40)	800/1,000 (1,760 / 2,210)	40110479
Fork to LW 86 universal joint for LSW 03 + LSW 08 Lehnhoff adapter + UBA-1200/3000		3.6 (8)		40110278
UBA-1200		15 (35)	1,200 (2,650)	41400571
UBA-3000		18 (40)	3,000 (6,600)	41400088