

ESP-150-31/31



Suction Plates ESP

► For the direct coupling to the operating valve unit or the hose cylinder extension.

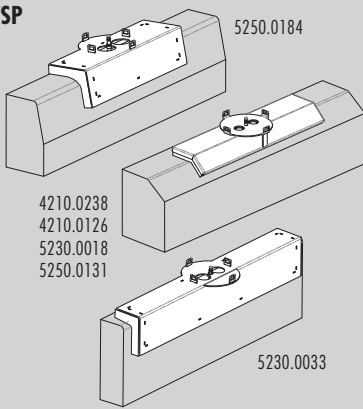
Consists of:

► One or more suction plates with attached foam rubber seal, including lifter for tactile steering.

Type	Dimension mm (in)	Working Load Limit WLL kg** (lbs)	Order-Number
ESP-35-20/20	200 x 200 (7 ³ / ₄ " x 7 ³ / ₄ ")	35*** (75)***	4210.0050
ESP-50-23/23	230 x 230 (9" x 9")	50*** (110)***	4210.0561
ESP-85-25,5/25,5	255 x 255 (10" x 10")	85*** (185)***	4210.0051
ESP-150-31/31	310 x 310 (12 ¹ / ₄ " x 12 ¹ / ₄ ")	150*** (330)***	4210.0145
ESP-150-40/27,5	400 x 275 (15 ³ / ₄ " x 10 ³ / ₄ ")	150*** (330)***	4210.0116
ESP-150-50/19	500 x 190 (19 ³ / ₄ " x 7 ¹ / ₂ ")	150*** (330)***	5230.0019
ESP-150-92,4/13,4	924 x 134 (36 ¹ / ₂ " x 5 ¹ / ₄ ")	150*** (330)***	5230.0008
ESP-150-100/12,4	1000 x 124 (39 ¹ / ₂ " x 5")	150*** (330)***	5230.0007
ESP-200-33/33	330 x 330 (13" x 13")	200*** (440)***	4210.0331
ESP-250-40/40	400 x 400 (15 ³ / ₄ " x 15 ³ / ₄ ")	250*** (550)***	4210.0054

For more suction plates contact us for professional advice, or refer to type list 14.5

WSP



4210.0238
4210.0126
5230.0018
5250.0131

5250.0184

5230.0033

Angeled Suction Plates WSP

Type	Dimension mm (in)	Working Load Limit WLL kg** lbs	Order-Number
WSP-150-52/15-12-98° ①	520x150-120 (20 ¹ / ₂ "x6 ³ / ₄ "x4")	150*** (330)***	5250.0184
WSP-150-70/8-11-143°	700x80-110 (27 ¹ / ₂ "x3 ¹ / ₄ "x4")	150*** (330)***	4210.0238
WSP-150-70/11-17-143°	700x110-170 (27 ¹ / ₂ "x4 ¹ / ₄ "x6 ³ / ₄ ")	150*** (330)***	4210.0126
WSP-150-85/7-7-135°	850x70-70 (33 ¹ / ₂ "x2 ³ / ₄ "x2 ³ / ₄ ")	150*** (330)***	5230.0018
WSP-150-70/13-10-143°	700x130-100 (27 ¹ / ₂ "x5"-4")	150*** (330)***	5250.0131
WSP-150-90/10-14-93° ①	900x100-140 (35 ¹ / ₂ "x4"-5 ¹ / ₂ ")	150*** (330)***	5230.0033

Multiple Suction Plates MSP

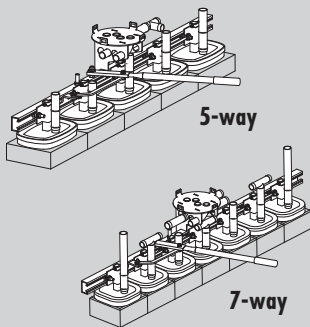
A modular design system, working with mainly standardised elements. We can therefore produce the appropriate suction plates fast and cost efficient according to customers needs.

► Exchangeable rubber seals with low wearing material, quick and easy to change and without the need for gluing.

► **MSP-X-V... (movable):** multiple suction plate with distance control. If a certain distance between stones is needed, you can fix the distance of the suction pad with a lever at a set distance e.g. 10 mm, so the stones will always have the correct spacing

► **MSP-X-S... (rigid):** multiple suction plate with fixed spacing of the suction pads.

MSP (movable)



5-way

7-way

Type	Dimension mm (in)	Number of suction plates	Working Load Limit WLL kg (lbs)	Order-Number
MSP-5-V-150-5 x SPS- 24/16-a-24 ①	240 x 160 (9 ¹ / ₂ " x 6 ¹ / ₄ ")	8	150*** (330)***	4210.1097
MSP-5-V-150-5 x SPS -22/12-a-23,5 ①	220 x 120 (8 ¹ / ₂ " x 4 ³ / ₄ ")	5	150*** (330)***	4210.1083
MSP-7-V-150-7 x SPS-17/16-a-16 ①	170 x 160 (6 ³ / ₄ " x 6 ¹ / ₄ ")	7	150*** (330)***	4210.1096
MSP-7-V-150-7 x SPS-16/14-a-16 ①	160 x 140 (6 ¹ / ₄ " x 5 ¹ / ₂ ")	7	150*** (330)***	4210.1078

** Caution: It is forbidden to use suction plates with a smaller working load limit than the lifting unit HE!

It is permissible to use suction plates with a higher working load limit than the lifting unit.

*** Value at 420 mbar low pressure

① Durable surface protection by galvanizing