



Concrete Highway Divider Clamp BSZ-KH

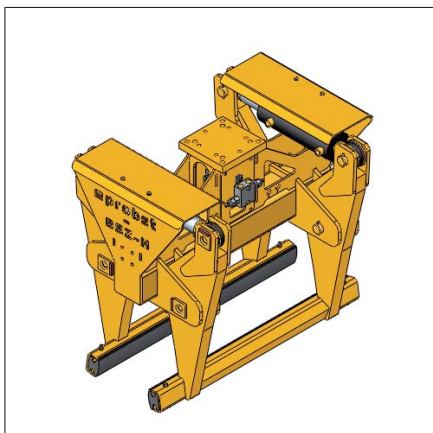
With this mechanical grab barrier walls can be gripped absolutely safe without leaving any marks on the concrete elements.

Even densely stacked asymmetrically elements can be lifted and installed easily due to the slim design of gripper arms. Thus more barrier elements can be loaded and transported on the truck.

- High rationalisation of staff costs.
- Rapid repetitive sequences.
- Lifting eye for attaching to crane hook.
- Automatic release for the fully automatic switch over from "full" to "empty".
- Leaves no black marks.

BSZ-KH-6.0

Type	Dead Weight kg (lbs)	Gripping Range mm (in)	Working Load Limit/WLL kg (lbs)	Order-Number
BSZ-KH-6.0	460 (1,014)	150 – 210 (5.91 – 8.27)	6,000 (13,228)	53100411
BSZ-KH-7.5	580 (1,279)	180 – 240 (7.09 – 9.45)	7,500 (16,535)	53100424



Hydraulic Concrete Highway Divider Clamp BSZ-H



Suitable for gripping and transporting single-sided and double-sided barrier walls of the type "New Jersey" in connection with any carrier machine such as diggers or truck loading cranes.

The use of additional protection elements must be tested, and this can be requested.

- Slim design for picking up closely arranged elements.
- Equipped with a hydraulic accumulator for perfectly reliable gripping.

BSZ-H-5.1

Type	Description	Length of Gripper mm (in)	Inside Height mm (in)	Dead Weight kg (lbs)	Gripping Range mm (in)	Hydraulic Connection Pressure bar (psi)	Hydr. Backflow Pressure, max. bar (psi)	Hydr. Volumetric Flow l/min (gpm)	Working Load Limit/WLL kg (lbs)	Order-Number
BSZ-H-2.0	DB 50 + DB 65 S	1,000 (39.37)	200 (7.87)	235 (518)	100 – 160 (3.94 – 6.30)	180 – 210 (2,611 – 3,046)	5 (72.52)	25 – 40 (6.61 – 10.57)	2,000 (4,409)	56400003
BSZ-H-5.1	DB 80, DB 80 AS, DB 80 AS-A, DB 80 AS-E, DB 80 AS-F, DB 80 AS-R, DB 80 E, DB 80 F, DB 100, DB 100 AS-R, DB 100 S	1,000 (39.37)	300 (11.81)	400 (882)	200 – 270 (7.87 – 10.63)	180 – 210 (2,611 – 3,046)	5 (72.52)	25 – 40 (6.61 – 10.57)	5,100 (11,244)	56400002

011223 Technical data contained in this catalogue can be modified without prior notice in the interest of progress. Illustrations are exemplary and non-binding. No liability accepted for any misprints, mistakes and errors. * Details in the general sales conditions at the end of the catalogue or at www.probst-handling.com/en/gtc