



BP

BOBPLAN BP Pulling aid for the concrete subgrade

Prepare the concrete bed for kerbs quickly and easily. Ready for use in just a few steps.

The concrete subgrade is removed to a length of approx. 1.20 m for the kerbstones to be placed subsequently. There are two folding handles for pushing the unit forward. This means that the BOBPLAN BP can be operated by only one person. The concrete planer is guided on both sides by 3 adjustable guide rollers.

- Can be folded into a compact transport position.
- Convenient carrying handle (also for securing the folding up in the transport position).
- No loose parts during transport.
- Infinitely adjustable pull-off pusher.
- With 3 guide rollers.

Type	Dimensions mm (in)	Working Width mm (in)	Inside Height mm (in)	Dead Weight kg (lbs)	Length mm (in)	Order-Number
BP	1,532 x 277 x 146 (60.31 x 10.91 x 5.74)	270 (10.63)	195 – 335 (7.68 – 13.19)	14.9 (33)	1,532 / 2,760 (60.31 / 108.66)	51000099



GR-150

Slipform for Concrete Backfill of Precast Kerbs GR-150

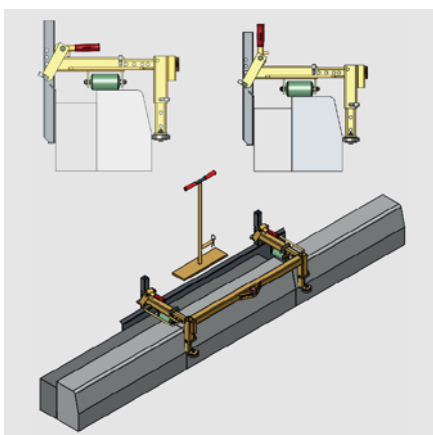
When installing kerb stones it is mandatory to get them backfilled with concrete formwork as per DIN 18318. To avoid time-consuming and expensive assembly of timber formwork at the construction site we developed a slipform with lots of clever features.

The slipform GR-150 adjusts to all prevalent precast kerb dimensions. Effortless sliding due to rollers equipped with ball-bearings.

Within seconds the slipform plate is removed from the formed concrete and put into working position again by 2 eccentric levers.

To compact the concrete backfill – according to DIN specifications – the GR-150 comes with a hand tamper including fastener.

- Applicable at not too narrow curves as well.
- Significant saving of material to some extent compared to conventional concrete liner.
- Optional add-on: Link rod for slipform KS-GR-150. This connection rod links up two or more slipforms for formwork building.
- Durable surface protection by galvanizing.



GR-150

Type	Working Width mm (in)	Width mm (in)	Dead Weight kg (lbs)	Length mm (in)	Order-Number
GR-150	150 (5.91)	80 – 200 (3.15 – 7.87)	32 (71)	1,500 (59.06)	51000066

Accessories:

Type	Description	Dead Weight kg (lbs)	Order-Number
KS-GR-150	Connection rod link	1.3 (2.87)	41000241



011223 Technical data contained in this catalogue can be modified without prior notice in the interest of progress. Illustrations are exemplary and non-binding. No liability accepted for any misprints, mistakes and errors. * Details in the general sales conditions at the end of the catalogue or at www.probst-handling.com/en/gtc