



Site Equipment



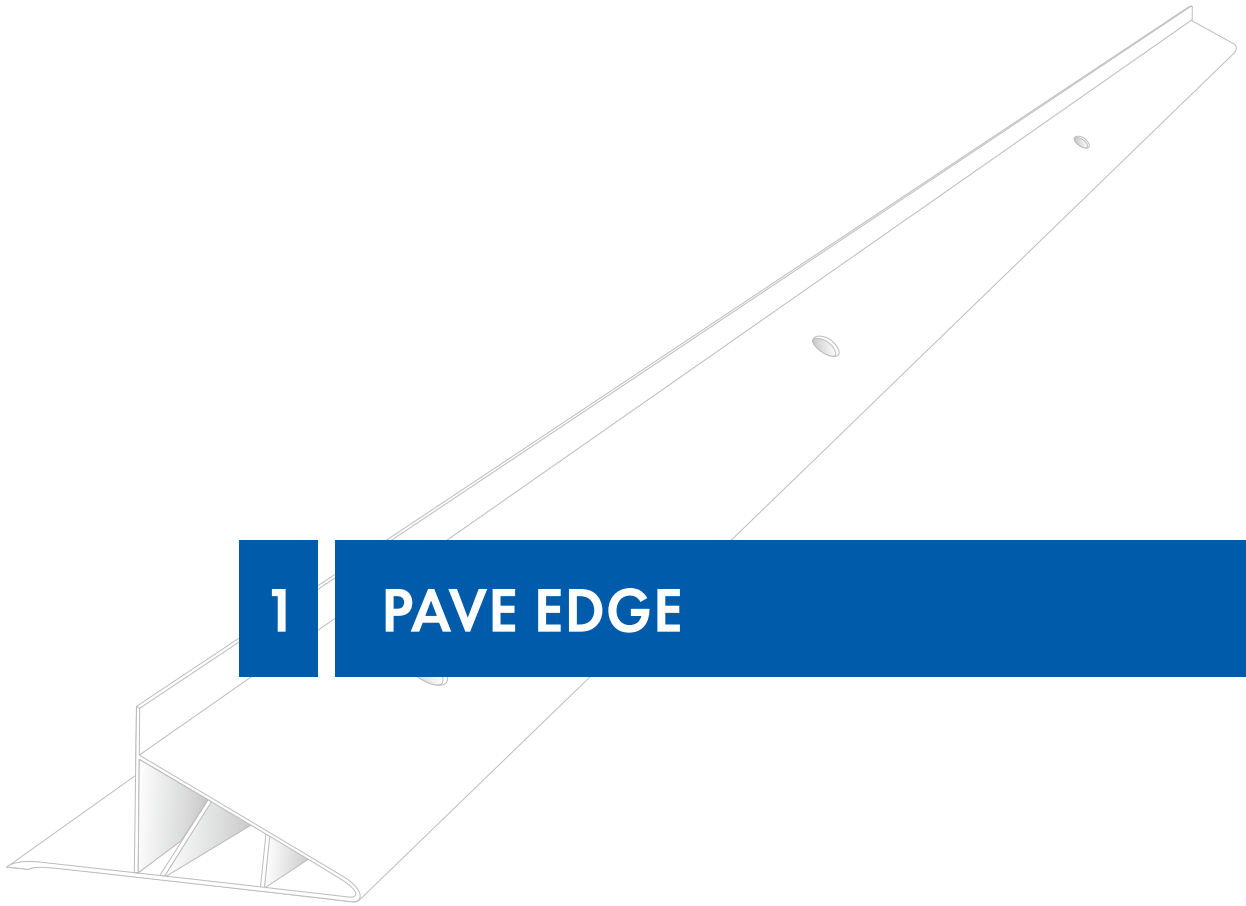
List of Contents



Product Categories 1 – 10



1	PAVE EDGE	5
2	Professional Tools	9
3	Screeding	24
4	Vacuum Laying	31
5	Compaction and Surface Savers	50
6	Joint Filling and Surface Cleaning	53
7	Clamps and Handling	56
8	Mechanical Installation	67
9	Blades	73
10	Yard Handling and Roof Elements	77



1 PAVE EDGE



Benefits:

PAVE EDGE is the highest performing paver edging in the industry & professional's choice for 30+ years!

- Best defense against shifting and deformation
- Contains up to 60% more material by weight per foot than other paver edge restraints
- Eliminate frost heave with the lip
- Environmentally engineered and pure virgin recycled PVC material
- Designed for pedestrian, vehicular and commercial applications

Materials and Design:**Polyvinyl Chloride**

- 100% pure virgin and recycled, environmentally safe PVC
- Virgin PVC retains its superior strength and has "memory". So, as it moves under load, it returns to original its shape.

Triangular, Reinforced Design

- Ensures vertical wall stays perpendicular to the pavement
- Best structural support for straight edges & smooth curves
- Hollow core design does not act as a heat sink
- Allows a minimum of 2" of top soil or sod above PAVE EDGE to top of paver

Frictional Holding Rib

- Provides lateral load resistance by 'biting' into the aggregate base (US Patent # 5,073,061)

Frost Heave / Sand Retention Lip

- Utilizes downward pressure of load and weight of pavers to lock edging into base
- Guarantees edging will move with pavement system under all weather conditions
- Bedding sand will not migrate

Pre-Drilled Spike Holes

- Accommodates 1/2" diameter steel landscape spikes
- Spaced every 12" on RIGID. For further strength, drive spikes anywhere along the back support
- FLEXIBLE has one hole per back support to provide optimal support on curves

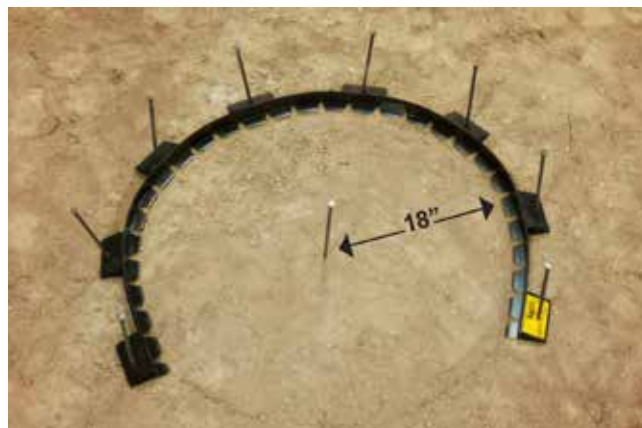
Connector Tubes

- Pre-inserted into the ends of PAVE EDGE for seamless connections at all joints

**Engineer Tested and Proven**

Stork Twin City Testing Corporation did mechanical engineering pavement loading & deformation testing on material, design, and spiking frequency that prove PAVE EDGE is the highest performing edging in the industry!

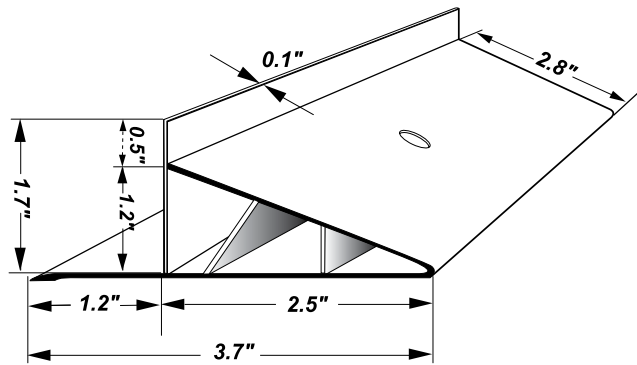
The superior design and material resists movement and makes PAVE EDGE Restraint outperform all others! The higher the load, the difference between PAVE EDGE & competitors grow!



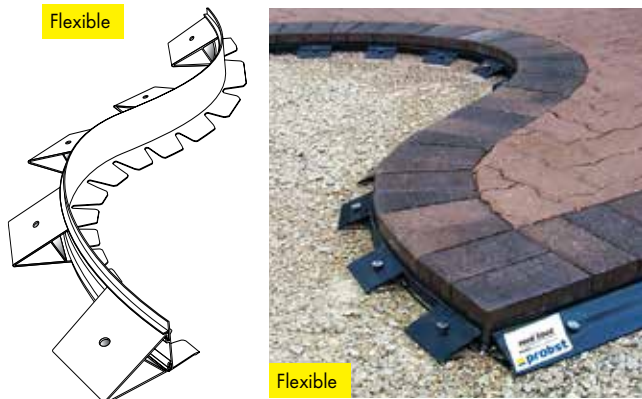
Rigid

Rigid can be used as a flexible edge restraint. A 7 ft section can be flexed slightly to produce a contour with a radius limit of approximately 17 ft. The rigid model is ideal for straight runs and gentle curves with minimal spikes.

Type	Description	Dead Weight lbs (kg)	Order-Number
Rigid 84 ft Bundle	12 x 7 ft Sections	34 (14.3)	51800122
Rigid 4,116 ft- Pallet	588 x 7 ft Sections	1646(747)	51800122



Rigid



Flexible

Flexible

- Can create radius as tight as 18"
- Ideal for tight curves
- Easily makes beautiful curves with perfect transitions and with minimum spikes

Type	Description	Dead Weight lbs (kg)	Order-Number
Flexible 84 ft- Bundle	12 x 7 ft Sections	25 (11.4)	51800123
Flexible- 4,116 ft Pallet	588 x 7 ft Sections	1235 (560)	51800123

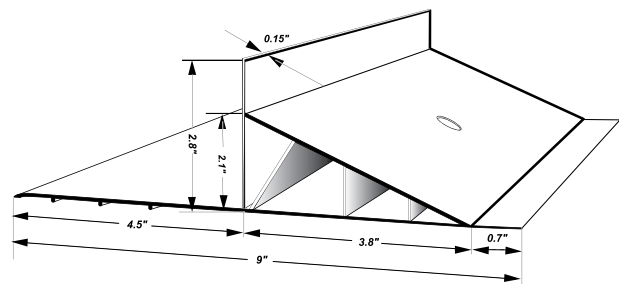
Industrial

On heavy-duty commercial and permeable (PICP) applications Industrial has proven itself for decades to be the most economical alternative to poured-in-place concrete curbs. It is the best performing, lowest labor, lowest material cost per foot of any industrial edge restraint.

- Longer extended lip with thicker walls and additional frictional ribs
- Designed for 3-4" (8-10 cm) commercial/industrial pavers
- 10 ft long, straight, one-piece sections
- Pre-drilled holes 6" apart alternating backside/ front extension lip
- Connector Pipe shipped one 10 ft section per carton of 120 ft to allow cuts as needed. Recommend connector pieces cut to 10"

Type	Description	Dead Weight lbs (kg)	Order-Number
Industrial 120 ft - Bundle	12 x 10 ft Sections	7 (3)	51800117

Industrial



Industrial



HiVIZ

Type	Description	Dead Weight lbs (kg)	Order-Number
84 ft Bundle	(12 x 7 ft Sections)	41 (19)	51800118
Single 7 ft bundle		1.5 (3)	51800118

HiVIZ™ Safety Edge Restraint

Make your display safer by using a transitional strip. The HiVIZ sits on floor to meet the top of your display, reducing tripping and holding it together.

- Great for tradeshow and displays
- Safety bright yellow PAVE EDGE

Permeable Application: PICP GEO-GRIP WRAP Method- It's all about the wrap!

Introduced in 1997, the Geo-Grid Wrap Method was designed to address securing the edging to the base without the use of spikes. Sections of the Geo-Grid are laid on top of the base (under the edging, bedding, and pavers), then wrapped around PAVE EDGE Industrial, Rigid, or Flexible and brought back under the pavement. This eliminates the need for labor-intensive and time consuming attachment of Geo-Grid to the edge restraint. The Geo-Grid interlocks with the base, bedding, and pavers to integrate with the pavement system.

By “wrapping” PAVE EDGE edging with the Geo-Grid, you’ll create the strongest and most durable restraint throughout the permeable pavement system.

Overlay Method

- Segmental pavement installation over concrete or asphalt surface
- Overlays rehabilitate old pavements
- Pavement area can remain the same size or can be enlarged
- Details on website



Geo-Grid Wrap



Geo-Grid Wrap



2

Professional Tools



Pounder

The perfect size heavy-duty slide hammer to put optimum compaction force (up to 5,000 lbs) exactly where needed. Designed for small areas, tight corners and directly next to foundations.

- 6 x 6 in (15x15 cm) Tamper Bit (for up to 5,000 lbs of force)
- Pounder Shaft: 20 lb hardened steel hammer 39 in (99 cm) Long
- Quick pin for easy bit change

Pro Tip: A 6" x 6" plate generates the highest compaction. When increased to an 8" x 8" plate you lose 40% of compaction. The larger the plate, the less compaction.

Type	Dead Weight lbs (kg)	Order-Number
Pounder (Tamper Bit Included)	32 (9)	029054



Pounder



KneeSEAT



KneeSEAT

KneeSEAT positions the hip and ankle at a proper angle providing support and comfort to the back, shoulders and neck.

- Ergonomic knee protection & ankle support
- Back relief while kneeling or sitting
- Aluminum tubing is 2x thicker or strength

Type	Dead Weight lbs (kg)	Order-Number
KneeSEAT	4 (1.8)	51800135



PaverPERSUADER

PaverPERSUADER / Rubber Hammer GH-ERGO

- Designed for tightening loose field pavers
- Angled head hits low on the paver to reduce paver rotation and disturbing bedding
- Replaceable heads
- Handle Length: 32" (81 cm)

Type	Handle Length in (cm)	Dead Weight lbs (kg)	Order-Number
PaverPERSUADER	39 (100)	6 (2.7)	51800113

Paver Mallet/Soft-face mallet SXH-1.8

- 13 in handle
- 2³/₈ in (60 mm) changeable heads
- Cast iron head clamp
- Includes: (1) BLACK Medium Hard Rubber and (1) RED Hard Plastic head



Type	Handle Length in (mm)	Dead Weight lbs (kg)	Order-Number
Paver Mallet	13 (330)	4 (1.8)	51800130
Replacement Head Black		3 (1.3)	41800266
Replacement Head Red		6 (2.7)	41800267
Replacement Handle	13 (330)	1 (0.5)	41800286



Hammers

Wall Mallet/Soft-face mallet SXH-3.2

- 19 in handle
- 3¹/₈ in (80 mm) interchangeable heads
- Cast iron head clamp
- Includes: (1) Black Medium Hard Rubber and (1) White Very Hard Nylon head



Type	Handle Length in (mm)	Dead Weight lbs (kg)	Order-Number
Wall Mallet	19 (493)	7 (3.2)	51800131
Replacement Head Black		3 (1.3)	41800271
Replacement Head White		6 (2.7)	41800269
Replacement Handle	19 (493)	1 (0.5)	41800272

Sledge Mallet/Soft-face mallet SXH-3.6

- 31 in handle
- 3¹/₈ in (80 mm) interchangeable heads
- Cast iron head clamp
- Includes: (1) Black Medium Hard Rubber and (1) White Very Hard Nylon head



Type	Handle Length in (mm)	Dead Weight lbs (kg)	Order-Number
Sledge Mallet	31 (797)	8 (3.6)	51800145
Replacement Head Black		3 (1.3)	41800271
Replacement Head White		6 (2.7)	41800269
Replacement Handle	31 (797)	1 (0.5)	41800270

Deadblow/SXH-1.3/SXH-2.3

- 12 in handle (Models 375 & 500)
- Welded steel construction
- Includes: (2) White Very Hard Nylon heads



Type	Handle Length in (mm)	Dead Weight lbs (kg)	Order-Number
Deadblow Model 375	12 (305)	3.8 (1.3)	51800127
Deadblow Model 500	12 (305)	5 (2.3)	51800128

Tumbler/Bush hammer STH-0.9

- 13 in handle
- Gives factory tumbled look
- Creates a "split face" after saw cutting
- Use on retaining wall block or pavers
- Hardened steel head



Type	Handle Length in (mm)	Dead Weight lbs (kg)	Order-Number
Tumbler	13 (330)	3 (.9)	51800129

PaverCART / VTK-V

Optimize your efficiency on the job site with the PaverCART! Move material with less time & energy. No more wheelbarrows.

- 12" diameter pneumatic tires
- Zinc Plated, high tensile steel
- Over-center cam action clamp handle
- Bottom roller for rolling on & off pallets*
- Works with many banded or unbanded pavers
- Carrying Capacity: 880 lb (400 kg)

Type	Working Load Limit WLL* lbs (kg)	Dead Weight lbs (kg)	Order- Number
PaverCART	max. 880 (400)	205 (68)	51100015
VTK-V-SR/N ◉	Supporting wheel for easy handling on even ground. Can be additionally attached at any time	15 (7)	41100041



VTK-V



CartTRAY

- Increases versatility
- Transport equipment & supplies on site
- Dimensions: 34 x 13 in
- Low center of gravity

Type	Opening Range in (cm)	Dead Weight lbs (kg)	Order-Number
CartTRAY	23 - 41 (58.4 - 104)	16 (7.5)	41100010

PalletWAGON / Pallet Cart PW-III

PalletWAGON is the only manual job site pallet mover that can handle a full pallet of pavers (on a level, flat grade). Features include large diameter rubber tires, adjustable fork width, and a hand-operated hydraulic cylinder to lift load.

- Max Pallet Width: 49 ½" (121 cm)
- Max width between adjustable forks: 18" (46 cm)
- Width overall: 64" (162 cm)

Working
Load Limit
3,300 lbs



PalletWAGON

Type	Length in (cm)	Lifting Capacity lbs (kg)	Dead Weight lbs (kg)	Order-Number
PalletWAGON	56 (142)	3,300 (1,500)	430 (195)	51100011



HandSAVER Gloves

HandSAVER Gloves

- Breathable, stretchable cloth, for tighter fit and better dexterity
- 75% cotton & 25% polyester with protective slip resistant latex rubber
- Coating protects hands from scraping and the drying effects of concrete and clay

Type	Description	Weight lbs (kg)	Order-Number
HandSAVER Gloves Large	10 Pairs/Pack	.5 (.23)	41850028
HandSAVER Gloves X-Large	10 Pairs/Pack	.5 (.23)	41850029

Type 3.1 SuperWET Adhesive

- Bonds in wet conditions
- Great for step veneering and freeze-thaw areas
- Application range: 35° - 110° F
- 60 lineal feet of bead per tube

Type	Description	Weight lbs (kg)	Order-Number
SuperWET Masterpack	12 x 16 oz bottles	12 (5.4)	41850368

Type 3.1 SuperWET



PaverADJUSTER / Alignment Bar RE

Drive down into the joint by applying pressure to the foot rest. Stretch a string line along the bond line and shift the pavers.

- Replaceable spring steel blade
- Hand and foot rests to drive into joint
- Zinc plated
- Handle Length: 36 in (91 cm)

Type	Handle Length in (cm)	Dead Weight lbs (kg)	Order-Number
PaverADJUSTER	36 (91)	3.3 (1.5)	51800011
Adjuster Replacement Blade	-	2 (.9)	41800002



PaverADJUSTER



SlabADJUSTER

SlabADJUSTER / Multiple Alignment Bar MRE

- Four adjustable blades
- Speeds up alignment process
- Two grips and one hammering point
- Head Width 25.5" (65 cm)

Type	Handle Length in (cm)	Dead Weight lbs (kg)	Order-Number
SlabADJUSTER	36 (91)	13 (6)	51800045
Adjuster Replacement Blade	-	2 (.9)	41800002

PaverPULLER / Paver Lifter SAH

- Fast removal of unsanded, non-compacted pavers
- Opening Range: 4 - 15 in (9 - 40 cm)
- See Paver Extractor for removal of pavers from a finished pavement

Type	Dead Weight lbs (kg)	Order-Number
PaverPULLER	11 (4.9)	51800050



PaverPULLER

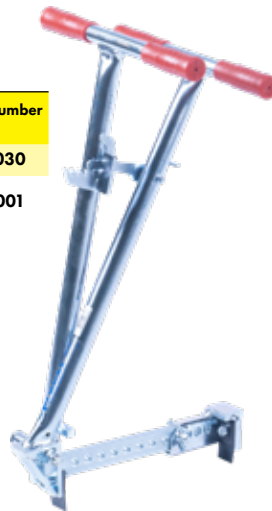
PaverEXTRACTOR / Paving Block Extractor SZ

The professional's answer to paver removal. Serrated spring steel teeth extract a large variety of pavers, including ones without spacer bars. Removing pavers with a PaverEXTRACTOR saves time and protects the surrounding pavers. Save time and money with the right tool for the job.

- Quick pin for fast adjustments
- Replaceable serrated spring steel teeth
- Zinc plated
- Opening Range: 3-13 in (9-33 cm)

Pro Tip: After using water as lubricant, use putty knife to loosen & remove poly sand first.

Type	Opening Range in (mm)	Dead Weight lbs (kg)	Order-Number
PaverEXTRACTOR	3-13 (90-330)	9 (4)	51800030
Extractor Replacement Blade	-	2 (.9)	41800001



PaverEXTRACTOR



SlabEXTRACTOR

SlabEXTRACTOR™ / Slab Extractor PZ

- Two person slab removal
- Quick pin for fast adjustment
- Uses four extractor teeth
- Opening Range: 5" - 24" (13 - 61 cm)
- Lifting Capacity: 150 lb (68 kg)

Type	Opening Range in (cm)	Dead-Weight lbs (kg)	Order-Number
SlabEXTRACTOR	5 - 24 (13 - 61)	13 (6)	53200006
Extractor Replacement Blade	-	2 (.9)	41800001

PaverPAW / PAVERBOY PB-15/24

- Exclusively for Installation, not removal
- Replaceable serrated spring steel teeth
- Rubber grip handle
- Increased production with 6 x 9 in and larger pavers
- Operating Range: 6 - 10 in (15 - 25 cm)
- Lifting Capacity: 22 lbs (10 kg) each



PaverPAW

**One Hand Options for 2-Handed Paver Size**

Type	Dead Weight lbs (kg)	Order-Number
PaverPAW	2.6 (1.2)	51800004



PaverTONGS

PaverTONGS

- Carry between 7 - 11 pavers/bricks
- Heavy duty design for professional use

Type	Dead Weight lbs (kg)	Order-Number
PaverTONGS (set of 2)	7.4 (3.4)	51800126

SlabGRABBER / Professional-Slab Handle PPH

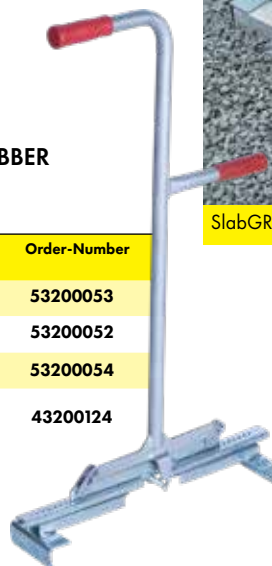
- For Installation, not removal
- Accommodates most slabs & retaining wall blocks
- Pivoting heads provide excellent contact with split face
- Tight, pinch-free, placement at the laying edge
- Gripper Length: 4 in (10 cm)
- Gripper Height: 11/8 in (2.8 cm)
- Carrying Capacity: 130 lbs (58 kg)

Pro Tip: For proper adjustment, make sure the SlabGRABBER arms are at about a 160° angle prior to lifting.

Type	Opening Range in (mm)	Dead Weight lbs (kg)	Order-Number
Small SlabGRABBER	4-15 (101.6-381)	3 (1)	53200053
Medium SlabGRABBER	10-20 (254-508)	3 (1)	53200052
Large SlabGRABBER	14-24 (355.6-609.6)	3 (1)	53200054
Long Handle Attachment / PPH-ERGO-HG	Handle Length 26.5 (670)	3 (1.5)	43200124



SlabGRABBER



BigHAND Grab

Designed to assist in lifting and carrying block and tile. Save your back and carry the heavy stuff the right way.

- Adjust, Grab, Go
- Balanced lift & carry
- Saves your back and hands
- Small plate opening range: ½" - 4"
- Large plate opening range: 4" - 8"
- Kit includes small and large plate

Type	Opening Range in (mm)	Dead Weight lbs (kg)	Order-Number
BigHAND Grab (Set of 2)	½ - 8 (12.7-203.2)	3 (1)	CT90100A
Replaceable Gripper Ring (10 Pack)	-	1 (.5)	CT90160A



BigHAND Grab



PaverSQUARE PRO & JR

Lightweight aluminum 45° and 90° angles.

Open PaverSQUARE and it's ready to use.

- PRO - Compactly folds to 48 x 2 in (122 x 5 cm).
Unfolds to 48 x 48 x 68 in (122 x 122 x 172 cm).
- Jr - Compactly folds to 24 x 2 in (61 x 5 cm).
Unfolds to 24 x 24 x 33 in (60 x 60 x 84 cm).

Compact storage and transport.

- Protective soft cases included.

Type	Dead Weight lbs (kg)	Order-Number
PaverSQUARE Pro	7 (3.2)	51800146
PaverSQUARE Jr	3 (1.4)	51800052



PaverSQUARE PRO





SHIMz

SHIMz™

Recommended for use with pavers, retaining walls, caps, steps, masonry, and outdoor architecture.

- 4x stronger than wood
- Superior alignment and support
- Snaps clean at the pre-scored lines
- Weatherproof polymer will not shrink, warp, rot, or split
- Never becomes brittle and resists UV damage

Type	Dead-Weight lbs (kg)	Order- Number
Case (360 Shimz)	21 lb (9.5 kg)	51800134



StakeOUT / Pin Extractor ENZ-PROTECT

Twist and lift! Uses leverage to extract grade stakes without bending them. Simple but very efficient tool with electric shock protection cap used on construction sites.

- The previous time consuming and often injury causing method, to pull out stakes just by hand or using pliers, hammer and such are gone now
- Holds stake for safe hammering
- Minimal base disruption
- For use with stakes/pins $\frac{3}{8}$ - $1 \frac{3}{16}$ in. in diameter
- No more broken toes
- Without using the ENZ, stakes/pins often get bent.
- When lifted up, the V shaped clamping system locks to the pin. Now pulling and turning movements to loosen the pin can be exerted without any real physical effort.
- Durable surface protection by galvanizing.
- Hardened gear segment.
- Lateral insertion of the ENZ-PROTECT on ground nails with plastic protective cap.
- Plastic handle reduces risk of electric shock in case of accidental damage to underground cables.



StakeOUT

Type	Dead Weight lbs (kg)	Order- Number
ENZ-PROTECT	2.2 (1)	51800162



StringIT



StringIT

This incredibly simple and flexible line holder for all setup work preformed with a plumb line.

- Gripping teeth hold the string line safely under tension at all times
- The line can also be removed again at any time without loosing the height setting as a result.
- Fits Steel Stakes up to 1"

Type	Dead Weight lbs (kg)	Order-Number
StringIT (6 pack)	.6 (.3)	51800062
StringIT Display (100) Box	9.4 (4.3)	CT450450

SuperSTRING

Durable Kevlar braided string line for setting grade.

- NO SAG or STRETCHING
- 500 ft Per Roll
- 500 lbs/226.8 kg weight rated

Type	Dead Weight lbs (kg)	Order-Number
SuperSTRING	.6 (.3)	51800137
SuperSTRING Master Pack (4)	2.5 (1.1)	51800159



PaverSCRIBE™ / MAL

- Pivoting angle finder to set exact angles
- Measure, lock, and mark paver angles
- Fast & accurate measurement of cuts when installing without a soldier course

Type	Dead Weight lbs (kg)	Order-Number
PaverSCRIBE	1 (.5)	51800026



PaverSCRIBE



QuickDRAW

QuickDRAW™ / QD

- Aluminum construction
- Increase marking speed by 400-600%
- Guide tab glides easily along edge restraints
- Wheel for use against curbs and walls
- Normally for use with soldier course

Type	Dead Weight lbs (kg)	Order-Number
QuickDRAW	4 (1.8)	029026

FlexMARKER™ / FMK

- Complete system for layout and marking of radii
- 2 Flexible 13 ft poles for curved borders (26 ft long)
- Anchor cleats & 12" velcro stays for fast layout
- Connect multiple poles together for unlimited length
- Up to 4 sets of poles (52 ft) fit in the carrying bag

Kit Includes:

- 8 Anchor Cleats
- 2 FlexMARKER 13 ft poles (26 ft total)
- 6 Velcro grade stake stays
- 1 Carrying bag
- 2 PaverMARKERS



FlexMARKER

Type	Dead Weight lbs (kg)	Order-Number
FlexMARKER Kit	6 (2.3)	51800136
Extra FlexMARKER 13 ft Pole	2 (1)	41800265
Anchor Cleat Each	1 (.5)	41800273



PaverMARKER

PaverMARKER™ / PM

- Wet/dry marker for pavers, block, and stone
- Non-permanent
- Strong composite material
- Extremely long lasting

Type	Dead Weight lbs (kg)	Order-Number
PaverMARKER (10 pcs)	.2 (.1)	029052
PaverMARKER (100 pcs)	1 (.5)	029127
PaverMARKER Private Label (1,600+ pcs)	-	51800155



Customize Your PAVERMARKERs

The great marking tool you depend on can be branded with your company logo or any customized information you choose!

*CUSTOM PRINTED- 1600+ PIECE MINIMUM (INCREMENTS OF 1,600) -- CALL FOR PRICING

- 2-SIDED
- FULL COLOR
- PROMOTE YOUR PRODUCTS OR BUSINESS

TO ORDER OR REQUEST A QUOTE CALL: 952-226-6400 OR EMAIL: SALES@PROBST-HANDLING.COM

WedgieMARKER™

- Great for soldier course and retaining wall caps
- Reduce waste, increase accuracy and speed of wedge cuts

Type	Dead Weight lbs (kg)	Order-Number
WedgieMARKER	1.5 (.7)	51800133



WedgieMARKER

Splitters



CompactSPLITTER™

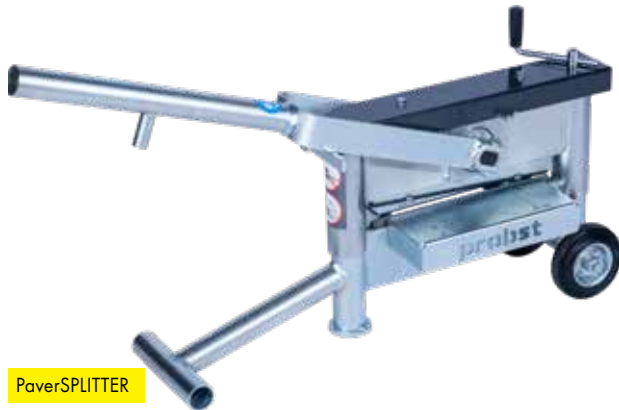
- Three sided blades
- Dimensions: 27" x 12" x 24" (68.5 x 30 x 61 cm)

Type	Cutting Height in (cm)	Cutting Length in (cm)	Dead-Weight lbs (kg)	Order-Number
CompactSPLITTER	4 (10)	6 (15)	44 (20)	51200037



CompactSPLITTER

2



PaverSPLITTER

PaverSPLITTER™ / STS-33-EASY

- More splitting force with reduced effort
- Better view of the cutting line
- Perfect for tumbled pavers
- Ensures tight fit of split pavers
- Clean cuts with precisely guided, triangular, reversible blade
- Durable surface protection by galvanizing
- Great for caps

Type	Cutting Height in (cm)	Cutting Length in (cm)	Dead-Weight lbs (kg)	Order-Number
PaverSPLITTER	4¾ (12)	13 (33)	105 (48)	51200082

WallSPLITTER™ / STS-43-H-EASY

- More splitting force with reduced effort
- Provides same look and texture as factory splits
- Pivoting upper blade ensures uniform contact for clean split
- Durable surface protection by galvanizing
- Clean cuts with precisely guided, triangular, reversible blade
- Perfect alternative to saw cutting



WallSPLITTER

Type	Cutting Height in (cm)	Cutting Length in (cm)	Dead-Weight lbs (kg)	Order-Number
WallSPLITTER	12 (30)	17 (43)	160 (72)	51200085



12v HYDRAULIC SPLITTER™ / STS-43-EH-23

- Removable 12 volt rechargeable battery pack
- Suspension eye for transport with a crane or lifting device
- Hydraulic Pressure: 50,700 lb (23,000 kg)
- Large wheels for easy manoeuvring on uneven terrain

Type	Cutting Height in (cm)	Cutting Length in (cm)	Dead-Weight lbs (kg)	Order-Number
12v Hydraulic SPLITTER	8 (20)	17 (44)	375 (170)	51200081

3

Screeding



SandPULL™

- 30" (76 cm) wide two-sided head combination of come along and float
- More efficient than a shovel or trowel
- Perfect width & weight to float on the screeded sand and fill in the voids.
- Greatly reduces time on your knees troweling
- Made in USA



SandPULL



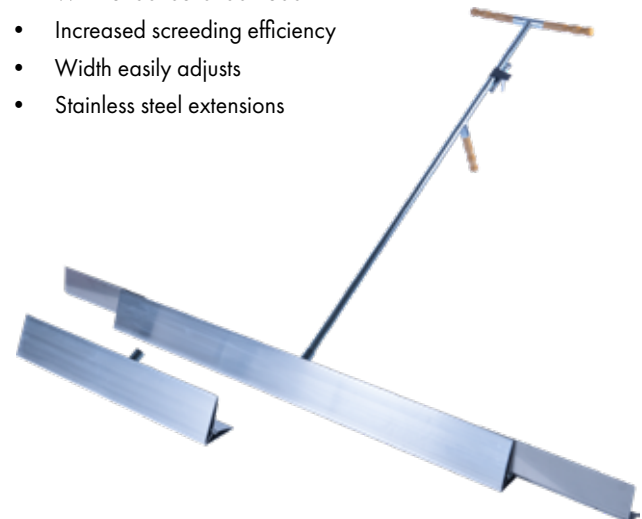
Type	Handle Length in (cm)	Dead-Weight lbs (kg)	Order-Number
SandPULL	6 (182)	4 (2)	51010013



SandPULL PRO

SandPULL PRO™ / EASYPLAN EP-UNI

- Screenshot standing, not on your knees
- Lightweight hollow core extruded aluminum
- Will not deflect under load
- Increased screeding efficiency
- Width easily adjusts
- Stainless steel extensions



CurbROLLER™ / EASYPLAN EP-UNI-RS

- Attachment For SandPULL PRO
- Screenshot off curbs and edges

Type	Description ft (m)	Handle Length in (cm)	Dead-Weight lbs (kg)	Order-Number
SandPULL PRO	3 - 7½ (.9 - 2.3) System	72 (182.8)	33 (15)	51000040
SandPULL PRO	7½ - 10 (2.3 - 3) System	72 (182.8)	35 (16)	51000041
CurbROLLER Kit (Set of 2)	-	-	11 (5)	41000165



CurbROLLER



SandScreed Pro

Sickle-shaped profile cuts the material accurately and prevents the TELEPLAN from running upwards.

Type	Length in (mm)	Dead-Weight lbs (kg)	Order-Number
SandSCREED PRO	23 - 39 (600 - 1,000)	8 (3.7)	51010006
SandSCREED PRO	39 - 65 (1,000 - 1,650)	10 (4.6)	51010001
SandSCREED PRO	59 - 102 (1,500 - 2,600)	13 (6)	51010002
SandSCREED PRO	78 - 138 (2,000 - 3,500)	15 (7.3)	51010003

FIXPLAN FP Handscreeding System New - Quick and easy planing of small and medium-sized areas

The FIXPLAN FP aluminium profile is sickle shaped. As a result the profile cuts itself into the bedding material and does not move upwards! No need for executing any force to push it down when pulling. Especially when screeding compacted sand, also in case of the screed bar cannot be moved side-ways sawing off the bedding material due to lateral obstacles or boundaries, the advantages of the FP profile are enormous with regard to effort of energy, working speed and high-quality performance of the laying course. With height adjustable height stop on both sides, range of adjustment 0- 5 in (0 - 127 mm). Can be taken off quickly if required.

- 4 screeding widths available.
- Integrated fitting for optionally available handles HG-ERGO-DUO included in the side parts.
- With the optionally available handle HG-ERGO-SOLO, the FIXPLAN FP can also be used by just one person.
- The light-weight aluminium hollow profile is extremely sturdy (high-tensile material - weight is 1.3 kg / 3 lbs per meter).
- Long Lifespan.



FP-250 & HR-ERGO-SOLO

SandSCREED PRO™ / TELEPLAN TP

Screeds simply by pulling without the need to force the blade edge down into the bedding. Using the weight of the sand within blade's profile arc, SandSCREED PRO maintains downward pressure, keeping it's edge down for you. Use as a standard screed board or with the Handle Set. Anytime you need a straight edge, level or to verify slope, check the Built-in Level Indicator.

- Positionable Handle Brackets connects anywhere across screed
- Width adjusts without tools
- Built-in height guides (adjust from 0" - 5")
- Built-in level
- Curved design „cuts“ into bedding sand reducing lift
- Adjustable Screed Guide on both ends to screed off an existing curb, pavement, or edging



FP-150

TP/FP-RS

Type	Length in (mm)	Dead-Weight lbs (kg)	Order-Number
FP-70	27.5 (700)	5.5 (2.5)	51010015
FP-150	59 (1,500)	7.9 (3.6)	51010016
FP-200	78 (2,000)	9.5 (4.3)	51010017
FP-250	98.5 (2,500)	10 (4.5)	51010018

Accessories TELEPLAN TP / FIXPLAN FP

Type	Description	Dead Weight lbs (kg)	Order-Number
HG-ERGO-SOLO		5.7 (2.6)	41010074
HG-ERGO-DUO		9.5 (4.3)	41010072
TP/FP-RS	Set of Roller Units for TELEPLAN/FIXPLAN	2.6 (1.8)	41010080



LF-125/215

LEVELFIX LF Manual Screeding System – move a large amount of material easily in a short time

The LF system is an efficient tool for landscape contractors who are looking for a tool for spreading and also screeding bedding material for paved areas quickly, flexibly and precisely, while maintaining ergonomically sound posture. Suitable for gardeners for preparation of planting beds, lawn areas and similar. Also suitable for levelling wood chip or gravel paths. Level surfaces can be created in a very short space of time and the process, which uses plastic wheels with flat rubber tread, leaves hardly any traces in the surface.

- Comes in 3 different infinitely adjustable working widths:
 - 40 - 49 in (LEVELFIX LF-75/125)
 - 49 - 85 in (LEVELFIX LF-125/215)
 - 67 - 122 in (LEVELFIX LF-170/310)
- A large amount of material can be moved in a very short time (pre-distribution), and then screeded precisely (finish)
- On both sides infinitely height adjustable wheels, with height indicator for adjusting the surface level to the curb for instance. Adjustment range -1.5 / +6.5 in

Type	Description	Working Width in (mm)	Dead Weight lbs (kg)	Order-Number
LF-75/125 ❶	Consisting of: 1 pair of stainless steel screed blades, 1 x central rolling unit, 1 x handle with holder, 2 x height-adjustable external roller sets	30-49 (750 – 1,250)	50 (22)	51000084
LF-125/215 ❶	As LF-75/125, but 2 x roller units	49 - 85 (1,250 – 2,150)	70 (32)	51000085
LF-170/310 ❶	As LF-75/125, but 2 x roller units	67 - 122 (1,700 – 3,100)	90 (42)	51000086
LF-HG ❶	Complete handle. incl. bracket for LF-170/310		7 (3)	41000317

- Infinitely adjustable crown profile integrated as standard: LF-75/125: 7%, LF-125/215: 4%, LF-170/310: 2.5 %
- Screed blades made from non-rusting stainless steel
- Handle adjustable for optimum ergonomics
- Spirit/bubble level fitted on the top right edge of the screed blade
- Universal tool holder and sweeping broom (recommended primarily for LF-75/125) available as an option
- Second handle for wide working width for 2 people operation for LF-170/310 available as an option



LF-75/125

- Cutter with sharp edge on the lower blade edges allows materials to be excoriated even where there is compacted sand
- Lasting surface protection on all other components thanks to galvanic zinc plating



Picture with additional LF-HG

❶ Durable surface protection by galvanizing

ScreedBOARD PRO™

ScreedBOARD PRO replaces your warped wood screed boards with a true strong straight edge.

- Heavy-duty sand screed board
- High tensile strength aluminum
- Walls 0.125" (3.2 mm) thick, 2x the thickness of competition
- Durable 1" x 4" (2.5 x 10 cm) profile
- Welded ends prevent sand getting inside the board
- Made in USA

Type	Length ft (m)	Dead-Weight lbs (kg)	Order-Number
ScreedBOARD PRO	2 (.6)	4 (2)	51000090
ScreedBOARD PRO	4 (1.2)	6 (3)	51000091
ScreedBOARD PRO	6 (1.8)	9 (4)	51000092
ScreedBOARD PRO	8 (2.4)	12 (5)	51000093



ScreedBOARD PRO

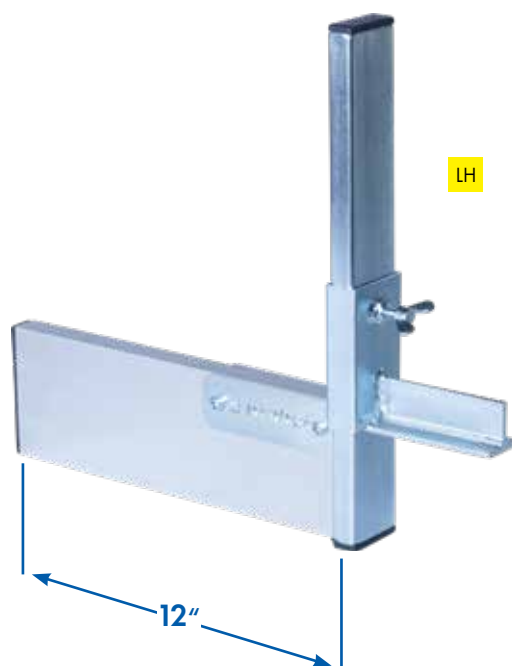


LEVELHANDY LH

Simple screeding tool to achieve a clean connection to already laid pavers or curbs.

- Simply place the LH on the existing screeded level
- Set the height adjustable support via tightening a wing nut to the right height towards the curb or existing pavement
- The screeded area now can be adjusted easily and precisely using this practical tool.

Type	Working Width in (mm)	Adjustable height stop in (mm)	Dead Weight lbs (kg)	Order-Number
LH	11 3/4" (300)	0 - 9 3/4" (0 - 250)	4 (2)	51000088



LH

- Durable surface protection by galvanizing

SandMAX™ I / Telescope Screeding System TAS-UNI

Screed 7 - 15 ft (210-460 cm) areas of bedding. Maintains downward force and resists lifting off rails.

Maximum width of 19 ft (580 cm) can be achieved with additional 5' 9" segment. A 7 ft long crown segment is available to create a crown or swale of +/- 4% and a max width of 20 ft.

- High tensile aluminum alloy
- Height adjustable rollers
- Screed Width: 7 - 15 ft (210-460 cm)
- Section Length: 5' 9" (175 cm)
- Shovel slots for manual pull & chains for loader pull

Type	Description ft (cm)	Dead-Weight lbs (kg)	Order- Number
SandMAX I	7-15 (210 - 460)	192 (87)	51000068
5' 9" Section (175 cm)	5.75 (175)	27 (12)	41000160
7' Crown Section (210 cm)	7 (210)	61 (27)	41000173



SandMAX I



SandMAX I

SandMAX™ II / Telescopic Screed Bucket TAK

Screed large areas of bedding sand or chip with precision. Create a crown or swale of +/- 4% with the crown attachment. For large commercial sites, choose SandMAX II.

- Impressive 12" (30 cm) tall screed profile allows for efficient screeding of large areas
- High tensile extruded aluminum alloy
- Fully telescopic 10 - **28 ft** (3 - 8 m) with 3rd section
- No deflection at full width
- Height adjustable side rollers for rails or curbs
- Custom lengths available



SandMAX II



SandMAX II

Type	Dead-Weight lbs (kg)	Order- Number
SandMAX II	474 (215)	51000065
Crown Attachment	105 (48)	41000042



UltraSCREED

UltraSCREED™ / POWERPLAN PP Screeding Machine – Material distribution and perfect screeding all in one go

Screed sand, chip, rock, etc. up to 1 ¼" diameter. UltraSCREED can be filled while in motion then meters out constantly through 2 independent chutes at the bottom of the hopper. Materials are screeded to the proper elevation. Adjusted and controlled by sonic, slope, and/or laser sensors.

- 50,000 sq ft/day production rates possible
- Working screed width 10 ft (3 m)
- Higher precision, faster and more maneuverable than an asphalt paver
- MOBA-Matic left & right dual controls
- Dual independent hydrostatic drives
- Rubber tracks
- Cruise control
- Designed for abrasive aggregate

Type	Dead-Weight lbs (kg)	Order-Number
UltraSCREED	5,511 lb (2500 kg)	51300011

Optional extra equipment:

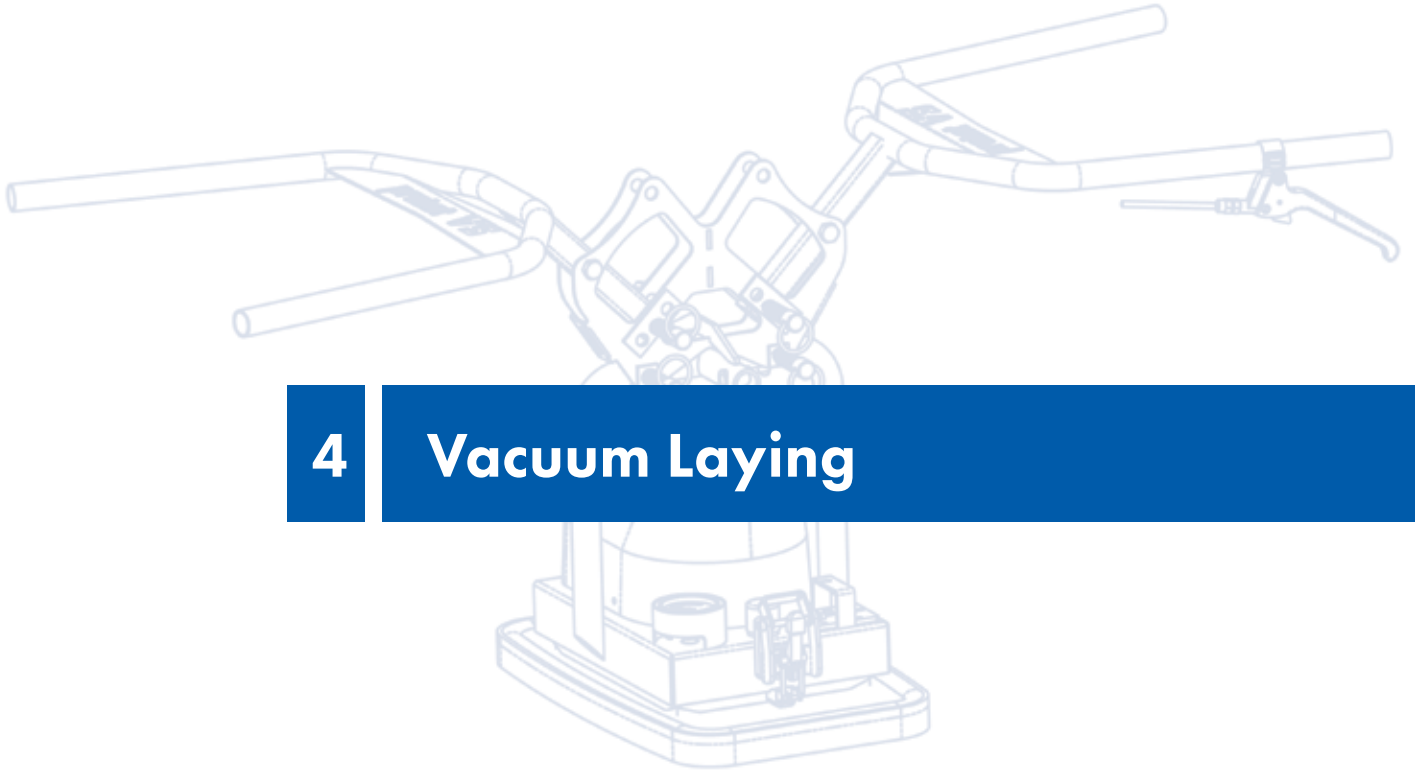
Laser Set LXS, Telescopic Leveling Post TL-LXS and Tripod for Laser transmitter ST-LXS, Slope Sensor, Foldable and detachable sun/rain roof, Reversing Alarm, Flashing Beacon and Diesel particulate filter.



Use in sports ground construction

Principal advantages:

- Maximum accuracy
- Saving on the expensive material for top bedding through precise sub-base installation
- High area coverage



4 Vacuum Laying



Benefits:

Compared to mechanical grabs, vacuum technology provides substantial and numerous benefits in handling and installation of building materials.

1. Installation without joints
2. No edge cracks and chipping
3. Higher laying quality; easy removal and readjustment, such as a slab was placed too deep into the laying course

Porosity:

Failsafe function of the vacuum devices is decisively influenced and determined by the porosity of the elements. It is easy to imagine: if the incoming air from micro pores exceeds the capacity a vacuum pump or blower is able to exhaust, proper negative pressure between suction plate and

construction material cannot be built up. These kind of products are not suitable to be lifted with vacuum devices. Unlike the surface characteristics and finish, porosity is not apparent or visible to the observer.

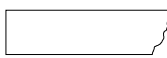

Appropriate Device	Vacuum Hand Laying Systems							Vacuum Lifting Devices				Vacuum Hose Lifters				
	VH	FXAH	VPH	VPE	MJ	AIR-LIFT *	Vac WER-KS*	SPEEDY VS *	SM	SH	QUICK-JET QJ	POWER JET PJ	MM with VGE	JUMBO-MOBIL JM	JUMBO BV VARIO	TRANS-MOBIL TM
Vacuum Generation via Vacuum Pump	●	●	●	●	●				●	●						
Vacuum Generation via Vacuum Blower						●	●	●			●	●	●	●	●	●
Specification Material/Product:																
Very dense/not porous: - granite - marble - „WET CAST“ (molded wet concrete)																
Dense/up to slightly porous: - miscellaneous natural stones - specific sandstones - limestone - single layer concrete stones, highly compressed, manufactured with a high content of water/cement																
Moderate porous: - smaller concrete slabs w/facing produced on block making machines																
Highly porous: - larger concrete slabs w/facing produced on block making machines - aerated concrete blocks - exposed aggregate surfacesaking machines																

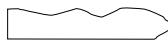
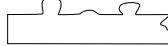
* Vacuum hand laying device can also be used on attachments via lifting eye.

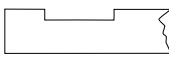
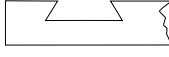
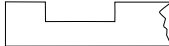
Marginal conditions, test set-up might be necessary prior to final decision making

Surface:

What really matters in practical application is not that much the surface finish but rather the porosity of the material.

1. Plane and smooth surfaces are optimal. 
2. Slight, not sharp-edged unevenness up to 5 mm is usually not a problem. 

3. Products with severe, not sharp-edged unevenness of approx. 8 to 10 mm can be handled with specific vacuum devices and corresponding sealing systems. 
4. Products with deep unevenness, such as exposed aggregate surfaces are easy to handle with vacuum devices operated by a vacuum blower. 

5. Sharp-edged products, with uneven and graded top up to approx. 3 mm are, if at all, solely be handled with vacuum devices equipped with a vacuum blower. 
6. Other surface characteristics on request. 


The smallest value always applies in the case of different load capacity specifications on the vacuum components used (lifting hose, suction plate, vacuum generator e.g. UNIMOBIL etc.)



AIRLIFT

AIRLIFT®

AIRLIFT is designed to make lifting and moving slabs, pavers and even porcelain tiles easy, safe and more ergonomic. AIRLIFT is electric, so it does not require an air compressor like most similar tools. The backpack vacuum is also very light weight and easy to maintain.

Kit Includes:

- BackVac 110v
- One Man T-Handle
- Adjustable Center Post
- 6.5" x 6.5" Suction Plate
- Easy to replace seal



Type	Dead-Weight lbs (kg)	Order-Number
Airlift Base Kit	18 lb (8 kg)	CT75750
Plate 3" x 11"	2.2 lb (1 kg)	CT70200A
Plate 6.5" x 6.5"	2 lb (1 kg)	CT70165A
Plate 6" x 12.5"	3.3 lb (1.5 kg)	CT70160A
10" Lift Extension	1.5 lb (0.7 kg)	CT014039A
Plate 6" Round	1.2 lb (0.5 kg)	CT70250A
Plate 4" x 15"	2.5 lb (1.1 kg)	CT70150A
Plate 10" x 10"	3.2 lb (1.5 kg)	CT70125A
One Hand Lift Handle	1.2 lb (0.5 kg)	CT70450A
Tile Setter Kit	2.8 lb (1.2 kg)	CT80800



TILE SETTER



6" X 12.5" PLATE



10" LIFT EXTENSION

VacWERKS VW-150 BL

- Lifting capacity: 440 lbs (200 kg)
- 110v Turbine Power for Handling All Products - Even DryCast Concrete which other systems fail to lift securely.

BL stands for Blower vacuum. Blower (aka turbine) technology enables us to excell in the most difficult vacuum applications. ie: handling porous materials such as dry cast concrete. Blower vacuum generates a high degree of air volume resulting in a safe and secure grip even as air is lost due to surface textures and the relative porous nature of dry cast concrete. 110v Blower vacuum is your best insurance that the vacuum will work regardless of the properties of the material you and your customers work with.

Type	Weight-Capacity lbs (kg)	Order-Number
VW-150 BL		52710010
110 lbs Plate	110 lb (50 kg)	42710197
210 lbs Plate	210 lb (95 kg)	42710194
330 lbs Plate	330 lb (150 kg)	42710196
440 lbs Plate	440 lb (200 kg)	42710198
VS-PR ①	440 (200)	42710166



*Use with Power Rack - VS-PR

Vacwerks VW-150 BL



① Durable surface protection by galvanizing

VacWERKS VW-250 A

- Lifting capacity: 550 lbs (250 kg)
- 12v Battery-Powered Vacuum system
- Auto on and off to save the battery
- Vacuum pump capacity 32.5 l/min

The battery-powered VW-250-A is ideal for handling dense natural stones such as granite and bluestone as well as wet cast concrete. Not recommended for dry cast concrete (see VW-150-BL)

Type	Weight Capacity lbs (kg)	Order-Number
VW-250 A		41850227
375 lbs Plate	375 lb (170 kg)	41850232
550 lbs Plate	550 lb (250 kg)	41850230

Working Load Limit 440 lbs

SPEEDY VS 110 V / Vacuum Hand Laying Device – new with an integrated suction plate for up to 50 kg

Higher than “others” compressed air converter or battery powered vacuum pumps.

No Need for a heavy Air Compressor and air hoses FAUST („fist“) option connects easily to the SPEEDY 110 V unit for one hand lifting.

- SPEEDY 110v Lifting capacity up to 440 lb (200 kg)
- FAUST Lifting capacity 55 lb (25 kg)
- 20 + years of lifting dry cast, wet cast, ceramic, and porcelain, smooth and textured surfaces
- Draws only 11 amps
- Adjustable handles allow different height operators and fold down for transport and storage
- Long handle option allows handling of larger (36“+) slabs
- Additional optional size suction plates available (see website)
- Lift kit with safety chain option available



SPEEDY 110 V

Type	Dead-Weight lbs (kg)	Order-Number
SPEEDY VS 110 V	45 (20)	52700019

4

Vacuum Laying



XL Long Handle Set

SPEEDY POWER-RACK VS-PR

Holder for practical storing of the EU 22i Honda generator when operating the SPEEDY on lifting equipment (e.g. a digger)

- No cumbersome cable to consider
- VS-PR is simply hung on the carrying device with adjusted generator. The VS-EH lifting eye of the SPEEDY is then hung on the eye hook of the VS-PR
- In the case of a carrying device with a large lifting height, the eye hook may be connected to the VS-EH*** lifting eye with the 2 m long loop supplied. Thus, first the SPEEDY then the VS-PR can be switched off
- Incl. 3 m extension cable + Velcro strap

SPEEDY VS-110v-XL Vacuum Hand Laying Device

- With long handles for safe installation of slabs
- With lifting eye and safety chain for risk-free lifting and handling



Power Rack

Type	Working Load Limit WLL lbs (kg)	Dead Weight lbs (kg)	Order-Number
VS-PR ①	440 (200)	20 (10)	42710166

① Durable surface protection by galvanizing

*** Not included in the scope of delivery of VS-140/200 (-110) (see table above).

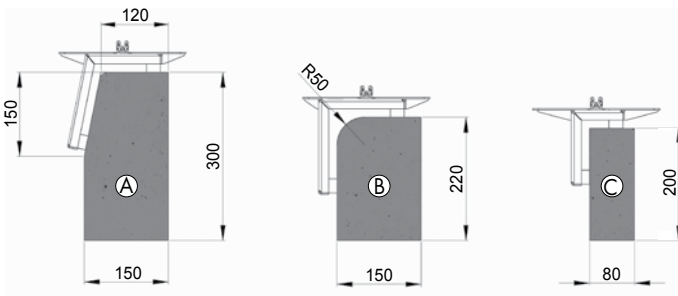
Quick Change device with integral suction plate VS-SWV-SPS-50-30/25 – for retrofitting for previous version*

- The SWV Quick Change device is simply screwed onto the SPEEDY VS-140/200* in place of the standard suction plate. This allows elements up to 50 kg weight to be lifted and laid. The former VS-SPS-50-30/25 suction plate then becomes superfluous as it is now integrated
- The SWV Quick Change device allows all **new** standard suction plates to be mounted in seconds without using tools via 2 quick-change locks
- The SWV can also be retro-mounted on the earlier SPEEDY-VS-140*; existing suction plates must then be retro-fitted with 2 screw-fitted hooks
- The SWV can also be moved through 90 degrees before being screwed onto the SPEEDY; thus allowing the standard suction plates to be used in any preferred alignment

VS-SWV-SPS-50-30/25



Quick Change device with integral suction plate for retrofitting for previous version



Quick Change device VS-SWV-SPS-50-30/25 (with integral suction plate)

Type	Suction Plate Dimension in (mm)	Working Load Limit WLL* lbs (kg)	Dead Weight lbs (kg)	Order-Number
VS-SWV-SPS-50-30/25	11¾ x 9¾" (300 x 250)	110 (50)	4 (2)	42710126

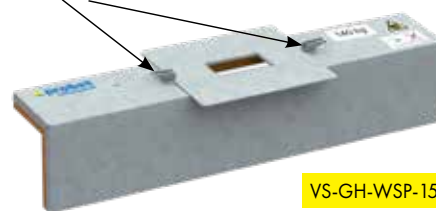
Suction plates for the use of SPEEDY with Quick Change function

Type	Suction Plate Dimension in (mm)	Working Load Limit WLL** lbs (kg)	Dead Weight lbs (kg)	Order-Number
VS-GH-SPS-80-40/30	oval 15¾ x 11¾" (400 x 300)	175 (80)	4 (2)	42710129
VS-GH-SPS-100-50/30	oval 19¾ x 11¾" (500 x 300)	220 (100)	6 (2.5)	42710130
VS-GH-SPS-140-70/30	oval 27½ x 11¾" (700 x 300)	310 (140)	7 (3)	42710131
VS-GH-SPS-200-85/34	oval 33½ x 13½" (850 x 340)	440 (200)	25 (11.5)	42710132
VS-GH-SPS	Retro fit kit counter holder for existing suction plate consisting of: 2 x counter holder + screws, nuts.			42710127
Lamellar plugs	1 item; for plugging drilled holes in the suction plates			21070141

Suction plates with counter holder for curb stones

Type	Suction Plate Dimension in (mm)	Working Load Limit WLL** lbs (kg)	Dead Weight lbs (kg)	Order-Number
VS-GH-WSP-150-90/12-15,5-101° ● (A)	35" x 5" – 6" 900 x 120 – 155	330 (150)	15 (6.5)	42720347
VS-GH-WSP-150-70/15,5-17-90° ● (B)	28" x 6" – 7" 700 x 155 – 170	330 (150)	15 (6.2)	42720360
VS-GH-WSP-85-90/8-12-90° ● (C)	35" x 3" – 5" 900 x 80 – 120	185 (85)	15 (6.5)	42720345

Counter holder



VS-GH-WSP-150-90/12-15,5-101°

● Durable surface protection by galvanizing

* (Order-No. 52700011, 12, 13, 14, 07, 08, 09, 10)

** Value at 200 mbar low pressure



VACUUM-HANDY VH-1/25 – amazingly simple and super-practical for installing vacuum-dense slabs

The cost-effective alternative for the installation of vacuum-dense slabs. A vacuum valve is operated by a light finger movement, to lift or set down the slabs. The vacuum holding force is generated by simple downward pressure and subsequent lifting by hand.



- One-man operation for lightweight slabs and short transportation distance
- Accurate and quick installation with no gap in-between slabs
- Ergonomically good working position for installation
- Also already layed slabs can be picked up again
- Robust seal ring, can be exchanged within seconds without glueing
- By purchasing of an additional two-men handle VH-2-HG the VH-1/25 can be used for two-men operation. The working load limit is then 50 kg

Type	Suction Plate dimension Ø in (mm)	Working Load Limit WLL lbs (kg)	Dead Weight lbs (kg)	Order-Number
VH-1/25 ①	11 (280)	55 (25)	10 (5)	52600009
VH-2-HG ①	Two-men handle for VH-1/25		7 (3)	42600155

VPH 12 V / VACUUM-POWER-HANDY VPH-GREENLINE

Alternative to the popular SPEEDY VS 110v vacuum comes equipped with telescoping handles and height adjustment for manual lifting of larger slabs. Remove the handles for easy transport. The light weight, ergonomic design reduces fatigue, injury, and speeds installation.

- Lifting capacity: 330 lb (150 kg)
- Included suction plate size: 17 ½" x 10" (44 x 25 cm)
- Lifting loop for easy attachment to equipment
- Rechargeable 12 volt battery means no power cords or electrical source
- Perfect choice for installing granite, bluestone, porcelain or wet cast concrete slabs



Type	Dead-Weight lbs (kg)	Order-Number
VPH 12 volt	35 (16)	52710008
220 lb (100 kg) Suction Plate	1.2 (0.5)	42700051

* Value at 500 mbar low pressure.

① Durable surface protection by galvanizing

STONEMAGNET® SM-600-GREENLINE – The new, battery-powered vacuum attachment with even greater power

Vacuum Laying

A powerful battery-operated vacuum device for handling large natural stone or precast concrete products. Designed to work well on job sites or in plant. Can be suspended from any machine using hooks, chains, slings, cables, etc.

- Lifting capacity: 1,320 lb (600 kg)
- Powered by 12 volt rechargeable battery
- Automatic Control System- automatically starts the vacuum pump in case of pressure loss
- Flashing light warns of low pressure
- High volume vacuum storage tank
- Pressure gauge and pressure release valve
- Equipped with 2 vacuum pumps

Additional features of the SM-600-GREENLINE-POWER:

- Twice the pumping capacity compared with the SM-600, providing greater reserves for slightly porous materials
- Built-in operating hours counter
- Suction and release operation via comfortable button-activation
- Optional retro-fitting of remote control for suction and release operations, enabling single-operator activation from the carrying device

Optional extra: SM-BB Operating handle

Working Load Limit 1,320 lbs



SM-600-GREENLINE-POWER



Control panel SM-600-GREENLINE-POWER



SM-600-GREENLINE



Type	Dead-Weight lbs (kg)	Order-Number
StoneMagnet SM-600	75 lb (34 kg)	52720006
StoneMagnet SM-600 Power	75 lb (34 kg)	52720007
400 lb (200 kg) Suction Plate (22 3/4" x 11)	20 lb (9 kg)	42720001
880 lb (400 kg) Suction Plate (29 1/2" x 10 1/2)	25 lb (10 kg)	42720002
1,320 lb (600 kg) Suction Plate (37 x 13 1/2)	35 lb (15 kg)	42720349
SM-BB Operating Handle	4 lb (1.6 kg)	42720063

● Durable surface protection by galvanizing

* Value at 500 mbar low pressure.

GRABO - FXAH - GREENLINE – the power pack for manual installation

Designed for landscape contractors and tilers, for quick and ergonomic lifting, moving and laying of absorbent concrete slabs, natural stones, tiles and other absorbent building materials. ACCU-HANDY is placed on a slab or tile, switched on, and then sucks onto the surface without any downward pressure.

The vacuum is released again by pressing another switch.

- Considerably easier laying, as there is no need to grip on the side, especially for the last slab
- Less risk of edge damage, as laying is more precise and with a better view
- Fast suction due to high air volume flow
- Manometer with negative pressure display. (Bar or PSI)
- Powered by a rechargeable 14.8 V lithium-ion battery (exchangeable battery concept)
- Battery life: approx. 1.5 to 2 h in continuous operation, in normal operation up to one day
- Increased safety through battery status LED

Scope of delivery: GRABO-FXAH (in box): Vacuum hand laying device, Charger (110 V), lithium-ion battery, rubber seal and spare filter.



FXAH-120-US-GREENLINE

Type	Dimensions L x W in (mm)	Battery Capacity (Ah)	Working Load Limit/WLL -700 mbar lbs (kg) Load horizontal / vertical	Dead Weight incl. battery lbs (kg)	Order- Number
GRABO-FXAH	12 x 7 (300x 180)	2.2	265 / 132 (120 / 60)	3 (1.5)	58500009

GRABO-FXAH



FXAH-120-SOLO-Set



FXAH-120-DUO-Set

FXAH-120 Carry Handles

With the SOLO and DUO carry handle add ons, you can work alone or in pairs in an upright position. The load is released via the foot pedal.

Type	Dimensions L x W in (mm)	Working Load Limit/WLL lbs (kg)	Dead Weight lbs (kg)	Order- Number
FXAH-120- SOLO Set	Carry handle with adapter for one person	265 (120)	10 (4.4)	48500043
FXAH-120- DUO-Set	Carry handle with adapter for two persons	265 (120)	22 (10.1)	48500039



UM-VS-110v

UNIMOBIL UM Laying dolly – The mobile all-rounder

Highly flexible manual installation system for all types of slabs.
The basic version of the UM can be fitted with the following attachments, depending on installation requirement:

Vacuum Technology:

SPEEDY VS-110v Vacuum Hand Laying Device

Type	Load pick-up	Power	Gripping Range mm (in)	Working Load Limit WLL kg (lbs)	Dead Weight kg (lbs)	Order-Number
UM-VS-110v [●]	Vacuum	110 V, 60 HZ		see suction plate	64 (140)	42740017 + 52700019

- Installation work – brilliantly simple: The empty suction plate is lifted up by the boom using a gas pressure ram; when the products are lifted from the pallet the machine will automatically reload the gas ram when the boom is lowered down

[●] Durable surface protection by galvanizing

Vacuum Lifting Device SH-1000-MINI – Optional sources: powered electrically, hydraulically or by integrated gas engine

For efficient and safe handling and laying of heavy loads up to 1,000 kg, such as granite slabs, dense concrete elements, marble slabs, kerb stones, steps, pipes etc.

- Can be hooked in to any carrier or laying machine VM by means of load hook, chain, hoisting cable or similar
- All-purpose lifting device · One-man operation
- By means of rapid change fasteners different suction plates can be attached to the SH within seconds for varying kinds of applications, various slab dimensions and weights
- Operating handles are arranged in ergonomic position for convenient direction and handling. Handles can easily be rearranged into a rack to put down the device on the ground properly
- Fitted as standard with chain compartment and safety chain

Working
Load Limit
2,200 lbs



SH-1000-MINI-E

Type	Power	Working Load Limit WLL (depending on the suction plate used) max. lbs (kg)*	Dead Weight lbs (kg) (without suction plate)	Order- Number
SH-1000-MINI-H	hydraulic	2,200 (1,000)	200 (91)	52400040
SH-1000-MINI-B	integral petrol engine	2,200 (1,000)	200 (90)	52400018
SH-1000-MINI-E	electric, 110 v, 60 Hz	2,200 (1,000)	195 (89)	52400020



SH-1000-MINI-B



SH-1000-MINI-H

* Value at 600 mbar low pressure.

More than 1.000 different suction plates are available, see page 49 for examples.

Vacuum Lifting Device SH-2500-UNI – The classic

- Having been designed specifically for harsh construction site use, this classic has proven itself on countless construction sites worldwide
- Integrated gas engine power (Honda). 110v power available as an option
- Suitable for predominantly wet-cast concrete and natural stone elements
- Vacuum plate seals can be replaced in minutes without gluing – simply take off the old seal and put on the new one
- Wear-resistant sponge rubber seal, adapts perfectly to uneven surfaces
- Fitted as standard with chain compartment and safety chain

Options: Wheelset SH-2500-RS and retrofit kit with rotator Baltrotor SH-AD (refer to page 49)

Type	Power	Working Load Limit WLL* lbs (kg)	Dead Weight (without suction plate) lbs (kg)	Order-Number
SH-2500-UNI-B	gas engine 2,9 kW	5,500 (2,500)	265 (120)	52400043
SH-2500-RS	wheelset for all models SH-2500-UNI			42500299



SH-2500-UNI-B

Vacuum Lifting Device SH-2500-GREENLINE – the innovative green rechargeable powerhouse

The classic now also with battery drive. Powerful and independent of mains power.

- Emission-free and low-noise operation
- Powered by a 24 V lithium-ion rechargeable battery. (exchangeable battery concept) can operate up to 6 hours
- Suitable for predominantly wet-cast concrete and natural stone elements
- Fitted as standard with safety chain

Options: Retrofit kit with rotator Baltrotor SH-AD (refer to page 49)



SH-2500-GREENLINE



More than 1.000 different suction plates are available, see page 49 for examples.

Type	Description	Power	Working Load Limit WLL* lbs (kg)	Dead Weight (without suction plate) lbs (kg)	Order-Number
SH-2500-GREENLINE	Basic device, without suction plate	by 24 V battery	5,500 (2,500)	285 (130)	52400046
SH-2500-GREENLINE-FFS	Basic device, without suction plate. With remote control	by 24 V battery	5,500 (2,500)	285 (130)	52400048

Vacuum Lifting Device SH-3500-B – With even greater power for harsh construction site use

- Threefold vacuum pump capacity compared with the previous standard SH-2500-UNI-B device; producing a significantly faster buildup of vacuum, also suitable for more porous elements
- Integrated Honda gas engine with electric start
- With integral chain-box and safety chain
- Suction and release operation via comfortable button-activation on the control console
- Built-in operating hours counter
- Built in fork sleeves to use with forked carriers
- All available SH-suction plates are compatible with the SH-3500-B. (refer to page 49)

Options: Wheelset SH-3500-RS, support feet SH-3500-AF, retrofit kit with rotator Baltrotor SH-AD and remote control SH-3500-FFS (refer to page 49)

*Value at 600 mbar low pressure.

Accessories:

Type	Description	Dead Weight lbs (kg)	Order-Number
SH-3500-RS ①	Wheelset for SH-3500-B	24 (11)	42500256
SH-3500-AF	Support feet for SH-3500-B	25 (11.4)	42400579

POWERJET PJ-1650 Vacuum Lifting Device

The high suction volume of the vacuum blower allows a high carrying capacity of 1,650 kg even with partially air-permeable stone slabs.

- With foldout handlebar
- Large-volume dust filter
- High safety features with integrated guard

PJ-1650-B: Powered by integrated gas engine with electric start, with integrated manually operated suction release device. Optional features: radio remote control of the suction release device PJ-B-FFS or alternatively hydraulically operated suction release device PJ-B-HAE.

PJ-1650-H: Powered by the hydraulic system of the carrier, standard equipment includes hydraulically operated suction release device, the operator controls the activation and release of suction from the drivers seat.

Option: Transport trolley PJ-RS

① Durable surface protection by galvanizing



SH-3500-B

Type	Description	Power	Working Load Limit WLL lbs (kg)*	Dead Weight (without suction plate) lbs (kg)	Order-Number
SH-3500-B	Basic device, without suction plate	gas engine 3,6 kW	7,700 (3,500)	approx. 395 (180)	52400041
SH-3500-B-FFS	Basic device, without suction plate. With remote control	gas engine 3,6 kW	7,700 (3,500)	approx. 395 (180)	52400047



PJ-1650-B

Type	Power	Working Load Limit WLL*	Dead Weight lbs (kg) (without suction plate)	Order-Number
PJ-1650-B ①	gas engine 6.6 kW	3,650 (1,650)**	290 (132)	52400036
PJ-1650-H ①	hydraulically	3,650 (1,650)**	258 (117)	52400038
PJ-RS ①	Transport trolley for PJ-1650-B and -H		44 (20)	42400497
PJ-B-FFS	Radio remote control for suction release for PJ-1650-B			42400502
PJ-B-HAE	hydraulic release device, carrier has to provide one separate hydraulic circuit for proper connection. Inclusive Hydraulic hose.		for operation w/ VM-401/301/203	41900122
			for operation w/excavator	41900123

* Depending on suction plate. ** Value at 400 mbar low pressure.

More than 1.000 different suction plates are available, see page 49 for examples.

Suction Plates SPS for Lifting Device SH / POWERJET PJ-1650

For different jobs we recommend special suction plates. All suction plates can be changed by means of a quick release coupling (modular principle). The carrying capacities depend on the size of the suction plate. The Probst special foam-rubber seal is suitable for all types of materials:

- Particularly good with uneven surfaces
- Extremely durable
- Changed in a flash: take the old one off, put on the new one – finished!

SPS-1200(800)-96/58



Type	Suction Plate Dimension in (mm)	Working Load Limit WLL* lbs (kg)	Working Load Limit WLL** lbs (kg)	Order-Number
SPS-3500(2300)-174/92 ①	69 x 36 (1,740 x 920)	7,700 (3,500)	5,100 (2,300)	42400555
SPS-2500(1650)-143/78 ①	56 x 30 3/4" (1,430 x 780)	5,500 (2,500)	3,650 (1,650)	52500239
SPS-1200(800)-96/58 ①	37 3/4" x 22 3/4" (960 x 580)	2,650 (1,200)	1,760 (800)	52500162
SPS-1010(670)-84/57 ①	21 1/4" x 22 1/2" (840 x 570)	2,230 (1,010)	1,480 (670)	52500238



TRA-3500 Spreader Bar – for attachment of 2 suction plates

Thanks to use of the vacuum traverse TRA-3500, concrete slabs weighing up to 3,5 tonnes can be lifted easily by just one person and placed down exactly where required. It is no longer necessary to grasp under the slab – it doesn't get better or more rational than this! A large selection of suction plates from the Probst range are available.

Type	Description	Working Load Limit WLL*** lbs (kg)	Order-Number
TRA-3500 Spreader Bar	For multiple use of the suction plates single plates adjustable. Suction plate turnable by 90°. Distance between centres of suction plates adjustable from max. 1,450mm to min. 560 mm.	7,700 (3,500)	42500260

Accessories SH-2500 / SH-3500

Type	Description	Dead Weight lbs (kg)	Order-Number
SH-AD	Retrofit kit with Rotator Balrotor	97 (44.1)	42500267

More than 1.000 different suction plates are available.

* Value at 600 mbar low pressure. ** Value at 400 mbar low pressure

① Durable surface protection by galvanizing

*** Caution: Take note of the carrying capacity of the vacuum-lifting device.



TM-150-D

TRANSMOBIL TM Installation Carrier – Transporting and laying curb stones

A compact universal machine – transport and handling of palletized building material and vacuum installation all in one.

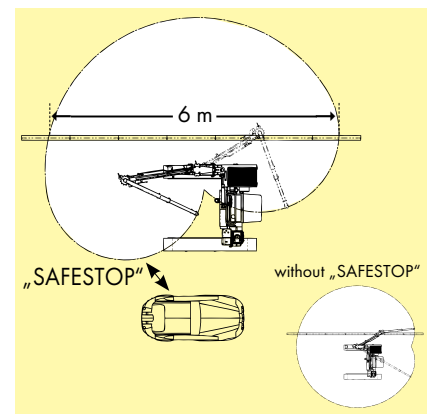
The powerful vacuum laying unit allows the immediate installation of heavy construction elements – effortless and without physical strain.

Crawler with rubber tracks for uneven terrain, combined with a vacuum hose lifter HE-150 and operating valve unit BE-Sprint-2 incl. standard suction plate with 150 kg carrying capacity.

- Hydraulic mast angling in seconds
- Boom can be swung easily and the installation material positioned exactly

Type	Power	Reach in (mm)	Working Load Limit WLL of Vacuum Laying Unit* lbs (kg)	Payload lbs (kg)	Dead Weight lbs (kg)	Order-Number
TM-150-D-A-XL	diesel engine 9,6 kW Hatz Silent Pack	118 (3,000)	330 (150)	3,300 (1,500)	approx. 3,400 (1,540)	52220012
TM-150-D-A-SILENT-XL	diesel engine 9,6 kW Hatz Silent Pack	118 (3,000)	330 (150)	3,300 (1,500)	approx. 3,400 (1,550)	52220014
TM-GGP	Essential add-on once the lifting capacity exceeds 150 kg. Installation material, such as kerb stones serve as counterweight.			552 (250)	22 (10)	42220070

- **Highest Safety Standards:**
The SAFESTOP ensures that the knuckle boom jib cannot swing into the traffic area
- **TM-150-D-A-XL:**
with sound insulated Hatz Silent Pack diesel engine
- **TM-150-D-A-SILENT-XL:**
with sound insulated Hatz Silent Pack diesel engine with additional sound proofing measures.
Noise emission < 80 dB



* With more powerful lifting hose unit, proper suction plate etc. and platform for counterweight TM-GGP upgradeable to 200 kg lifting capacity when fully extended and up to 250 kg at reduced outreach of 500 mm.

More than 1.000 different suction plates and accessories are available, see page 55 for examples

Working
Load Limit
440 lbs



JM-VARIO-150-B

JUMBOMOBIL JM-VARIO Vacuum Slab Laying Machine – The classic, successful design, on the market for over 20 years!

All-rounder for slab laying.

- Can easily lay up to 4000 square feet per day
- Newly installed, uncompacted slabs are not affected as the JM operates on top of them
- Compact transport dimensions, yet a large operating range of 13 ft
- Vacuum turbines powered by gas (Honda) engine
- With knuckle boom for safe and quick installation even along house walls or around trees, light posts or similar
- **Highest Safety Standards:**
The SAFESTOP ensures that the knuckle boom jib cannot swing into the traffic area

More than 1.000 different suction plates and accessories are available, see page 55 for examples

* Value at 420 mbar low pressure.

** When working with a working capacity of 200 kg, the operating radius of the boom will be limited to 3,000 mm. Furthermore the chassis must be loaded with counterweights (supplied by the customer).

Type	Operating Radius mm (in)	Electrical Data	Working Load Limit WLL* lbs (kg)	Dead Weight lbs (kg)	Order-Number
JM-VARIO-150-E-USA	3,900 (154")	4.8 kW 60Hz 3~YY 230 V / Y460 V	330 (150)	1,590 (720)	52000022
JM-VARIO-200-E-USA	3,000 (118")	4.8 kW 60Hz 3~YY 230 V / Y460 V	440 (200)	1,610 (730)**	52000024
JM-VARIO-150-B	3,900 (154")		330 (150)	1,590 (720)	52000018
JM-VARIO-200-B	3,000 (118")		440 (200)	1,610 (730)**	52000020

Design with rigid boom jib on request.



BV-VARIO-B

JUMBO-BV-VARIO – Vacuum Curb Stone Installation Machine

Optimum logistics: sucking, lifting, installing in one operation.

The entire block package is carried here.

- With universal mounting bracket for all common loader or stacker fork holders, alternatively fitted with hollow teeth
- "SAFESTOP": The boom cannot swing into the area of the traffic. Vital safety feature
- Extremely effortless mobile bending boom
- Hydraulically angled mast, it is always vertical, slight swinging of the boom

Type	Drive	Power (kW)	Reach in (mm)	Type of jib	Length of installation in (mm)	Working Load Limit WLL** lbs (kg)	Dead-Weight lbs (kg)	Direction of folding the jib	Order-Number
JUMBO-BV-VARIO-B	Gas engine	8.1	138 (3,500)	SKVA	276 (7,000)	330 (150)	1,110 (520)	forward	52200011

** Value at 420 mbar low pressure.

More than 1.000 different suction plates and accessories are available, see page 55 for examples

Suction Plates ESP

Type	Suction Plate Dimension in (mm)	Working Load Limit WLL** lbs (kg)	Order-Number
ESP-85-25,5/25,5	10" x 10" (255 x 255)	185 (85)*	42100051
ESP-150-31/31	12 1/4" x 12 1/4" (310 x 310)	333 (150)*	42100145
ESP-200-33/33	13" x 13" (330 x 330)	440 (200)*	42100331

ESP-150-31/31



Lifting Hose Units HE

For use with the Jumbo Travelling Crane JWK, the JUMBOMOBIL JM or on any other crane carrier. (Application of lifting hose unit HE-250 is permissible at stationary crane facilities only, not to be operated with JUMBOMOBIL, JUMBO-BV and Jumbo Travelling Crane JWK).

Consists of:

- Rotational Device and quick coupling, 2 inch
- Lifting hose unit with protective fabric as well as a flange for fitting onto the operating valve unit
- Available optionally for HE-150/200/250: reinforced belt stay with buckle

Type	Working Load Limit WLL*** lbs (kg)	Diameter Lifting Hose in (mm)	Lifting Height in (mm)	Order-Number
HE-150	330 (150) *	9 (230)	59 (1,500)	42100132
HE-200	440 (200) *	9 3/4" (250)	59 (1,500)	42101114

HE-150 – HE-200



Operating Valve Unit BE-Sprint-2

- For direct coupling onto the lifting unit HE
- Consists of: Main body with handle 500 mm long, fixing screw for adjusting the hovering position, safety gauge

Type	For use with	Order-Number
BE-Sprint-2	HE-35 up to HE-250	42100539



BE-Sprint-2

** Caution: It is forbidden to use suction plates with a smaller carrying capacity than the lifting unit HE! It is permissible to use suction plates with a higher carrying capacity than the lifting unit.

● Durable surface protection by galvanizing

* Value at 420 mbar low pressure

*** Caution: Take note of the working load limit of the crane equipment

Ergonomic Vacuum Control Unit BE-ERGOSPRINT – Picking up and laying in an upright posture

- The new ergonomic operating valve unit for mounting on all HE lifting units and vacuum hose lifters, including JUMBOMOBILJM-VARIO and TRANSMOBIL TM.
- No more bending over when picking up, moving and laying the concrete element
- Control of suction and release via rotary handle on the right handle
- Handle can be locked in the uppermost position
- Greater safety clearance to paving material

Type	For use with	Dead Weight lbs (kg)	Order-Number
BE-ERGOSPRINT	HE-35 up to HE-250	30 (13)	42101305



BE-ERGOSPRINT on TRANSMOBIL TM

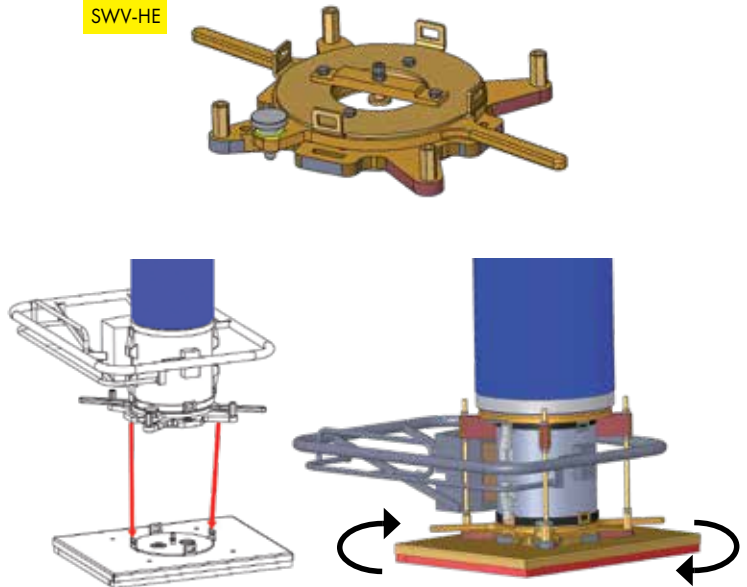
Quick Change Device SWV-HE – Easy suction plate changing with a twisting motion

The SWV-HE quick change device greatly simplifies suction plate changing on the construction site, which is often required.

- Faster suction plate changing with a simple twisting motion
- Suitable for all lifting hose units from HE-35 to HE-250
- Easy operation, no inconvenient screwing of adapters required
- Operating errors no longer possible
- When using lifting hose units HE-200 and He-250, the lifting hose unit is fitted directly to the SWV-HE quick change device by means of 4 tension rods (threaded rods)

Type		Working Load Limit WLL lbs (kg)	Dead Weight lbs (kg)	Order-Number
SWV-HE ①	Quick Change Device	550 (250)	8 (3.8)	42101026

SWV-HE



① Durable surface protection by galvanizing

5

Compaction and Surface Savers



PaverPACKER™ 50

All forward plate compactors are designed to run in trenches, so the plates are long and narrow. The PaverPACKER 50 has a short, wide plate and faster travel speed resulting in a much more efficient and productive compactor. The mounted wheel kit makes it easy to move around.

- Widest and fastest forward plate in the industry
- 16" Long x 22 ½" Wide plate
- Travels 90+ ft/min on pavers
- Honda GX-160, 4.8 HP engine
- Integrated wheel kit
- Perfect for 4" base lifts and setting pavers



Type	Dead-Weight lbs (kg)	Order-Number
PaverPACKER 50	275 (125)	51350007



SurfaceSAVER™ MAT

New integrated honeycomb technology allows joint sand to spread and fill paver joints 4x faster than before! You can trim this mat to fit almost any compactor plate and use to reduce damage to textured surface pavers, clay brick, natural stone, & paving slabs. Made with special urethane material the PaverSAVER minimizes slowdown.

- Honeycomb urethane rubber mat 22" x 30"
- Helps prevent damage to textured surface pavers, clay brick, natural stone, & paving slabs
- Universal design for use on most compactors
- Trim to fit
- Each kit includes: Mat Plug Cutter (for cutting the bolt holes)
*Not for drilling steel



Type	Dead-Weight lbs (kg)	Order-Number
SurfaceSAVER Mat Universal Kit	15 (7)	201505
Mounting Bracket 1540 & 1550	3 (1.4)	005012



SurfaceSAVER Roller Plate Attachment

SurfaceSAVER™ Roller Plate Attachment

Leading slab manufacturers recommend roller compactors to avoid damage. The process is a gentle compression of slabs/pavers into the bedding course. Rollers dampen compaction amplitude and consolidate bedding sand or chip through higher frequency vibration. This prevents the slabs from shifting and edges from chipping. The pavement is also protected from scratches caused by scraping joint sand across the surface.

- Roller diameter: 3 ¾" (9 cm)
- Secure mounting with adjustable width clamps
- SS70 Clamping Range: 15" - 22.5" (39 - 57 cm)
- SS90 Clamping Range: 15.75" - 25.5" (40 - 65 cm)

Type	Dimensions in (cm)	Width in (cm)	Dead-Weight lbs (kg)	Order-Number
SurfaceSAVER 70* (Frame Only)	19 x 27 ½ x 4 ½ (48 x 69 x 11)	22.8 (58)	109 (49)	41850319
SurfaceSAVER 90* (Frame Only)	19 x 34 ½ x 4 ½ (48 x 88 x 11)	30.7 (78)	138 (63)	41850320
Bracket Set (*for SS70 & SS90)				41850321
Disc-Lock Nuts (*for SS70 & SS90)				41850264
Bolts (*for SS70 & SS90)				41850258



SS70



SS90

6 Joint Filling and Surface Cleaning



PaverBROOM

- Broom head ends are rounded to reduce splitting
- Handle reinforcement
- Bristle stiffness & size minimizes sand retention
- Maximizes sand spreading and clean up
- Head Width: 24 in (61 cm)
- Perfect for sand and chip

Type	Handle Length ft (cm)*	Dead Weight lbs (kg)	Order- Number
PaverBROOM (Set of 2)	5 (731.52)	18 (8)	51800124



PaverBROOM



PaverSWEEP



Metal Brush

PaverSWEEP

- Orbital broom for fast jointing & site clean-up
- Efficient sweeping chip into PICP joints & normal joint sanding
- 4.5 HP Honda engine
- 36" (91 cm) diameter bristle brush
- Brush reversal with downward pressure adjustment

Type	Dead Weight lbs (kg)	Order- Number
PaverSWEEP	134 (61)	51700010
Poly Brush	6 (2.7)	41850358
Poly / Metal Brush	9 (4)	41850359
Metal Brush	14 (6.4)	41700046



EASYFILL EF-H Paver Jointing Device – Joint filling

Fast and flexible filling of pavement joints on small and medium sized areas. The joint material can be grouted either dry or with the addition of water.

The EF-H-The paver jointing device also makes an important contribution to the operator's health and safety at work.

- Rigid, resistant brushes for optimal joint filling
- Continuous height adjustment of the brushes
- EF-H powered with gasoline engine



EF-H

Type	Type of Drive	Working Width in (mm)	Dead Weight lbs (kg)	Order-Number
EF-H	Engine: Honda, GXV 160, 4 KW at 3600U RPM	46 (1,170)	245 (112)	51700003
Brush for EF-H				41700002

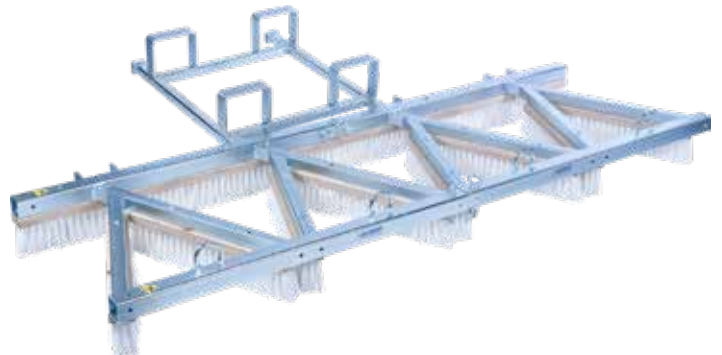


Brush for EF-H

Sweeping Broom EB – ideal for large areas

For efficient sweeping of large areas in the laying of block pavers. This sweeping broom does not only brush the sand horizontally into the joints, but also diagonally. The universal attachment linkage allows attachment to paving installation machines and wheel loaders.

- Surplus of sand can easily be shoved further on
- Modular principle of design for flexible working width 1,200 and 2,400 mm (or for attachment to wheel-loaders 3,600 mm)
- Equipped with attachment device for laying machine VM-401/301/203/204 as well as for fork-gripping.



Type	Specification	Working Width in (mm)	Dead Weight lbs (kg)	Order-Number
EB-120/240 ⁰	Sweeping Broom complete incl. linkage	47" or 94" (1,200 or 2,400)	230 (105)	51600021
EB-120 ⁰	Sweeping Broom complete incl. linkage	47" (1,200)	140 (64)	51600019
Brush for EB				41600002

⁰ Durable surface protection by galvanizing

7

Clamps and Handling



SlabHANDLER™ / Laying Clamp VZ

The smaller SlabHANDLER VZ IR & VZ IS can be lifted by two workers or by construction equipment. Lift products quickly and safely without rigging. With three options available and an opening range between 20" to 67" (51-170 cm), the SlabHANDLER can be used for multiple applications. This versatile tool is great for job site placement of slabs and precast or granite curbing.

VZ I- Model R (Rubber Grippers)

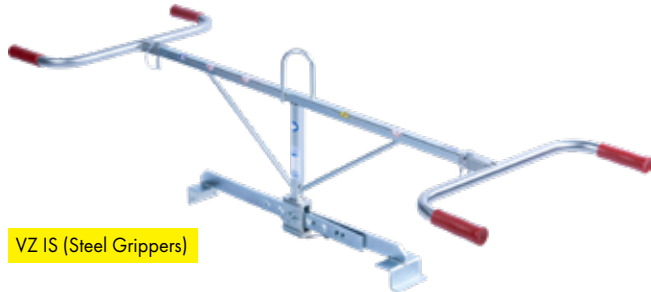
- Lifting Capacity: 220 lb (100 kg)
- Gripper Height: 2 1/2" (6.4 cm)
- Gripper Width: 8" (20 cm)

VZ I- Model S (Steel Grippers)

- Lifting Capacity: 220 lb (100 kg)
- Gripper Height: 1 1/2" (4 cm)
- Gripper Width: 4" (10 cm)



VZ IR (Rubber Grippers)



VZ IS (Steel Grippers)

Type	Opening Range in (cm)	Dead-Weight lbs (kg)	Order-Number
VZ IR Rubber Gripper	20 - 39 (51 - 99)	27 (12)	53100198
VZ IS Steel Gripper	20 - 41 (51 - 104)	27 (12)	53100140



ManHANDLE TSV

ManHANDLE™ TSV / Concrete Step Handles TSV

This versatile clamp with a manual clamp release handles stair treads, wall block, and curbing with ease. Lift with 2 people or with any lifting machine.

- Inside Height: 5" (13 cm)
- Gripper Length: 8" (20 cm)
- Handle can be attached in-line or 90°

Type	Opening Range in (mm)	Lifting Capacity lbs (kg)	Dead-Weight lbs (kg)	Order-Number
ManHANDLE TSV	2- 25 (5 - 64)	550 (250)	50 (23)	53100217

FlatGRAB™ / Flat Grab FZ

Designed for handling slabs that are stacked vertically (on edge). Slabs are easily removed from a crate and laid flat on a pallet or truck bed.

- Intended primarily for material handling at fabrication facilities and distribution yards (not for installation).
- Handles all types of slabs quickly, safely, and easily.

Type	Opening Range in (mm)	Lifting Capacity lbs (kg)	Dead-Weight lbs (kg)	Order-Number
FlatGRAB	0" - 2 1/2" (0 - 60)	1,760 (800)	13 (6)	53100278



FlatGRAB

EasyGRIP™ EXG MAXI

The EasyGRIP EXG MAXI is a perfect little clamp for small yet difficult-to-grab products such as wall block, curbs, and steps. Can be used as an attachment to a carrier (mini-ex, loader, etc.) or it can be used manually by (2) workers.

- Inside Height: 7"-9" (17 - 22 cm)
- Gripper length: 9 ¼" (24 cm)

Type	Gripping Range* W in (mm)	Inside Height ** E in (mm)	Gripper Length L in (mm)	Working Load Limit WLL lbs (kg)	Dead Weight lbs (kg)	Order- Number
EXG-0 MAXI	0 - 15 ¾" (0 - 400)	6½ - 8½" (165 - 215)	9 ¼" (235)	1,320 (600)	33 (15)	53100392

** depending on gripping range

FastGRAB™ TSZ UNI & MAXI

Ideal for installation of stair treads, curbs, blocks & slabs as well as roughcut natural stone products such as outcroppings, rocks and boulders.

- Eliminates need for lifting anchors or awkward use of slings, saving you time and money.
- Automatic lock and release mechanism for maximum efficiency, clamp can quickly and easily be lifted off without aid after a product is set in place.
- Inside Height: 0" - 7" (18.5 cm)
- Gripper length: 13 ¾" (35 cm)

Type	Opening Range in (cm)	Lifting Capacity lb (kg)	Dead-Weight lbs (kg)	Order- Number
TSZ UNI	2" - 24" (5 - 61 cm)	1,320 lb (600 kg)	67 lb (32 kg)	53100338-003
TSZ MAXI	33½" - 43" (9 - 110 cm)	1,320 lb (600 kg)	77 lb (32 kg)	53100364-003
Rock Gripper	Reduces Opening Range by 3"	-	16 lb (7 kg)	43101384
Retaining Wall Clamp Gripper	-	-	65 lb (29 kg)	40000874
Inside Height Adjustment Bracket Set (recommended)			3 lb (1)	43100867



EasyGRIP EXG MAXI



TSZ UNI



TSZ UNI



TSZ UNI w/Retaining Wall Clamp Grippers

QuickCLAMP™ FTZ-UNI, MAXI, & MULTI

World famous PROBST QuickCLAMPs eliminate the need to use lifting anchors, slings to lift or forks and pry bars to set products into position. The automatic lock and release mechanism speeds the cycle time and keeps hands clear of danger. Optional Height Adjustment Brackets work with the UNI, MAXI, & MULTI.



FTZ-MAXI-50



MAXI 25



FTZ Multi w/ Rubber Grippers



FTZ Multi w/ Rubber Grippers

The MULTI model can be customized for your application with several gripping options. First, Select your frame/specifications, then select the appropriate gripper option. Available grippers include rubber or urethane grippers, rock grippers or even our unique fluid filled retaining wall clamp gripper (for lifting multiple split faced blocks at once).

Type	Opening Range in (cm)	Inside Height in (cm)	Gripper Length in (cm)	Lifting Capacity lb (kg)	Dead-Weight lbs (kg)	Order-Number
UNI 15 (Grippers Incl)	0" - 31" (0 - 78 cm)	10" (22.5 cm)	16.5" (42 cm)	3,300 lb (1,500 kg)	200 lb (90)	53100256-003
MAXI 25 (Grippers Incl)	8" - 47" (20 - 120 cm)	10" (22.5 cm)	16.5" (42 cm)	5,500 lb (2,500 kg)	285 lb (129)	53100344
MAXI 50 (Grippers Incl)	16" - 49" (41 - 124 cm)	6.3" (16 cm)	28" (72 cm)	11,000 lb (5,000 kg)	570 lb (259)	53100363
Inside Height Adjustment Bracket Set (recommended)					3 lb (1)	43100867

Build Your Own Clamp

Type	Opening Range in (cm)	Lifting Capacity lb (kg)	Dead-Weight lbs (kg)	Order-Number
MULTI (Frame Only)		3,300 lb (1,500 kg)	210 lb (95)	53100348
16.5" Rubber Gripper Clamp Asm	8" - 49" (20 - 124 cm)	3,300 lb (1,500 kg)	30 lb (13)	43101262
Rock Gripper	8" - 47" (20 - 119 cm)	3,300 lb (1,500 kg)	75 lb (34)	43100941
48" Retaining Wall Grippers	8" - 49" (20 - 124 cm)	3,300 lb (1,500 kg)	125 lb (34)	50000000
MULTI 15 D (Frame Only)		3,300 lb (1,500 kg)	210 lb (95)	53100393
16.5" Rubber Gripper Clamp Asm	0" - 30" (0 - 76 cm)	3,300 lb (1,500 kg)	30 lb (13)	43101262
Rock Gripper	0" - 28" (0 - 71 cm)	3,300 lb (1,500 kg)	75 lb (34)	43100941
48" Retaining Wall Grippers	0" - 30" (0 - 76 cm)	3,300 lb (1,500 kg)	125 lb (34)	50000000
Inside Height Adjustment Bracket Set (recommended)			3 lb (1)	43100867

BoulderGRAB™ / Mechanical Boulder Grab FVZ-UNI

This is a versatile 3-point clamp alternative to hydraulic grapples. Engineered with high tensile construction. The included crane loop and lifting chain adds ease of integration with any lifting equipment. BoulderGRAB is simple to operate, reliable, and requires minimal maintenance. It is perfect for smaller projects.

- Lifting Capacity: 3300 lbs (1,500 kg)
- Opening Range: 37½ in+ (95+ cm)

Type	Opening Range in (cm)	Lifting Capacity lbs (kg)	Dead-Weight lbs (kg)	Order-Number
BoulderGRAB	37+ (95+)	3,300 (1,500)	190 (85)	53100272



BoulderGrab



Two Man BoulderGrab

Two Man BoulderGRAB™ / Manual Boulder Grab H-FVZ-UNI

Two Man BoulderGRAB features a simple opening range adjustment and loop for lifting with various construction equipment.

Type	Opening Range in (cm)	Lifting Capacity lbs (kg)	Dead-Weight lbs (kg)	Order-Number
Two Man BoulderGRAB	24+ (60+)	440 (200 kg)	46 lb (18 kg)	53200086



Grab for Angular Concrete Products WEZ – so that the element sits flush and level in the concrete bed on the first attempt

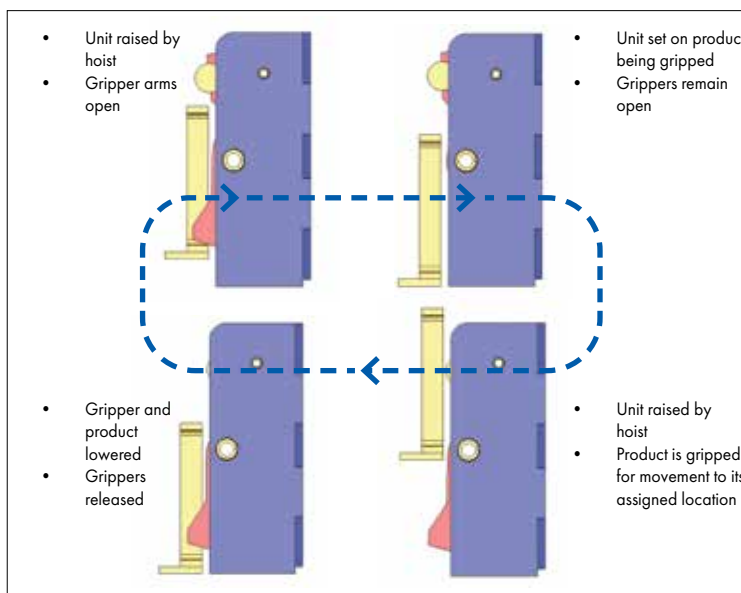
Who isn't familiar with this scenario: elements are crooked when resting in the shipping strap, so when installed they do not sit flush in the concrete bed. Until now, the only choices were either time-consuming hammering in place or subsequent complaints. Enough of that! The WEZ installs all common elements in their proper position with a level base.

- Alternating "on-off" switching with Probst's indestructible automatic release simplifies your work: No user required to switch from "grip" to "release" (see below)
- With a dual sliding suspension mounting
- Also suitable for installing T-walls
- Lifting eye for attaching to crane hook. Can be adjusted to the center of gravity of all prevalent products being lifted to let it hang vertically
- Highly durable and exchangeable rubber grippers
- Leaves no black marks

Type	Gripping Range* W in (mm)	Working Load Limit WLL lbs (kg)	Dead Weight lbs (kg)	Order-Number
WEZ-2	2 - 9 3/4" (50 - 250)	4,400 (2,000)	120 (55)	53100347
WEZ-6	2 - 11 3/4" (50 - 300)	13,200 (6,000)	350 (160)	53100375



WEZ-2



The Heart of Many Mechanical Probst Grabs – the Proven and Simple Automatic Release WA

Sequence begins with the clamp locked open for placement onto the product. Immediately when set down the auto-release switches and the clamp is free to grip the product. When the product is set in place, the auto-release locks the clamp open and the sequence is ready for the next pick.

- Advantage: No operators required to switch between "grip" and "release"
- Maintenance-free operation without the need for springs which are subject to wear



VZ-M-UNI

Curb Stone Clamp VZ-M-UNI

Fully mechanical operation for use with any wheel loader, excavator or other carriers.

- Specially designed for the installation of approx. 1 m long elements, such as curb stones
- With handle to provide optimal guidance
- Equipped with automatic release

Type	Gripping Range* W in (mm)	Working Load Limit WLL lbs (kg)	Dead Weight lbs (kg)	Order-Number
VZ-M-UNI	35 1/2" x 42 1/4" (900 - 1,065)	660 (300)	45 (21)	53100275

Stone Pillar Grab SLS – ingeniously simple, easy to use, lightweight and safe

- Particularly well suited for use with roughly-cut granite columns
- Securely anchored to the horizontal column with a few turns of a crank
- Automatic re-tensioning of the rubber grippers when erecting for maximum industrial safety
- NEW: The lifting eye can be adjusted to the center of gravity of the product being lifted to let it hang vertically
- Double-sided, non-marking rubber grippers, thus no claw marks or scratches on pillars and palisades



SLS-8/20-G-VA

Type	Gripping Range* W in (mm)	Working Load Limit WLL lbs (kg)	Dead Weight lbs (kg)	Order-Number
SLS-8/20-G-VA ❶	3 – 7 3/4" (80 – 200)	660 (300)	24 (11)	53100409



PVZ-V

Column Handles PVZ-V – for round and rectangular palisades

- Length-independent clamping
- Manual, two-man carrier handles
- Problem-free, precise, tightly packed installation
- Adjustable grip width

Type	Gripping Range* W in (mm)	Gripper Length L in (mm)	Working Load Limit WLL lbs (kg)	Dead Weight lbs (kg)	Order-Number
PVZ-V ❶	4 – 12" (100 – 305)	3 1/4" (80)	330 (150)	18 (8)	53200031

Universal Handle BVZ – one tool for all!

- Universal, fits practically every design element employed in the field of urban, open and green space construction
- With pin bolts to adjust the opening width
- Interchangeable rubber clamping jaws

Type	Gripping Range* W in (mm)	Inside Height E in (mm)	Gripper Length L in (mm)	Working Load Limit WLL lbs (kg)	Dead Weight lbs (kg)	Order-Number
BVZ ❶	0 – 21 3/4" (0 – 550)	8 1/4" (210)	7 3/4" (200)	440 (200)	26 (12)	53200020



BVZ

❶ Durable surface protection by galvanizing

Hollow Block Handles FSZ-M – not merely for hollow core block, but also for drain elements, U stones, etc.

FSZ-M:

- Can be attached to hoists or can be carried by two workers
- Depending on the space available at the site, the handle can be rotated by 90°
- Large adjustment range for general use
- With automatic release (refer to page 72)



FSZ-M

Type	Gripping Range* W in (mm)	Working Load Limit WLL lbs (kg)	Dead Weight lbs (kg)	Order-Number
FSZ-M ①	7 - 22 3/4" (180 - 580)	550 (250)	35 (16)	53200002



RGV-9/9

Turf Stone Laying Clamp RGV

Laying Clamp for Turf Stones, versatile due to exchangeable adaptors.

- RGV-9/9 fits Turf Stones 60 x 40 cm, hole dim. 9 x 9 cm
- Installs 1 to 5 units at once
- Alternating "on-off" switching with Probst's indestructible automatic release simplifies your work: No user required to switch from "grip" to "release" (refer to page 72)
- Lifting eye, handle, turnable by 90°
- Screwable adaptors – not compatible with TSV!

Type	Description	Gripping Range* W in (mm) depending on adaptors	Working Load Limit WLL lbs (kg)	Dead Weight lbs (kg)	Order-Number
RGV ①	Basic unit, without adaptors	approx. 2 3/4 - 20" (70 - 500)	250 (550)	30 (15)	43101154
RGV-AS-9/9	Adaptors for 9 x 9 cm		250 (550)	11 (5)	43101153
RGV-9/9 ①	Complete unit, RGV+RGV-AS-9/9	12 - 20" (300 - 500)	250 (550)	44 (20)	53100372

For an enquiry concerning the required adaptor set, please send us a dimensioned drawing of the block used.

① Durable surface protection by galvanizing

* Gripping range indicates the minimum and maximum pack measurements of building materials, which can be picked-up with this grab

EASYLIFT EL-SIMPLE Slab Handling Device – small, light and exceptionally gentle on the back

The “packhorse” on 2 wheels for easy slab laying.

- User-friendly and handy device for seamless slab laying
- For optimal posture when working. Through the lever effect, even heavy slabs can be laid without great effort
- The special wheel design makes the EASYLIFT EL-SIMPLE extremely manoeuvrable
- Solid design, indestructible
- Collapsible, thus space-saving in transit

Type	Gripping Range* W in (mm)	Working Load Limit WLL lbs (kg)	Dead Weight lbs (kg)	Order- Number
EL-SIMPLE	11¾ – 23½" (300 – 600)	175 (80)	25 (12)	51100017



EL-SIMPLE



Cable Channel Clamp KKV – always grips from the inside, saving space

KKV-200

- Mechanically gripping; can be used with any hoist
- Basic unit without steel grippers
- With automatic release (refer to page 72)
- A variety of adapters with steel claws to cover the entire gripper range between 290 and 600 mm are optionally available



KKV-8/14



KKV-200

KKV-8/14

- Can be attached to hoists or can be carried by two workers
- Depending on the space available at the site, the handle can be rotated by 90°

Type	Gripping Range* W in (mm)	Gripper Length L in (mm)	Working Load Limit WLL lbs (kg)	Dead Weight kg (lbs)	Order- Number
KKV-200 ●	7¼ – 7¾" (185 – 215)	15 ¾" (400)	1,100 (500)	110 (50)	53100423
KKV-8/14 ●	2¼ – 5 ½" (80 – 140)	10 ¾" (270)	220 (100)	26 (12)	53100061

● Durable surface protection by galvanizing

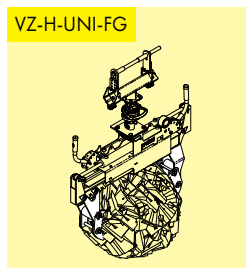
Hydraulic Laying Clamp VZ-H-UNI – The all-rounder for virtually all elements

- Curb stones can be gripped lengthways or across depending on the space conditions
- Special jaws for rocks, turf stones and similar, easy and quick to attach
- Use generally on diggers or laying machines with a hydraulic rotary head

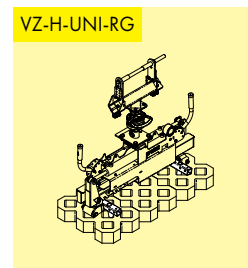


VZ-H-UNI-KV

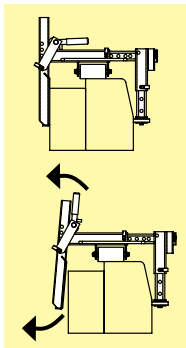
Type	Specification	Gripping Range in (mm)	Working Load Limit WLL lbs (kg)	Dead Weight lbs (kg)	Order-Number
VZ-H-UNI-KV Full version ①	incl. clamping unit, 1 set of rubber grippers and 1 set of steel finger grippers, continuous rotator, suspension, set of hydraulic hoses	1½ – 22½" (40 - 570) up to 39 – 59" (1,000 - 1,500)	1,100 (500)	375 (170)	51600031-002
VZ-H-UNI-FG ①	Rock grippers (in pairs)		1,100 (500)	50 (22)	41600160
VZ-H-UNI-RG ①	Gripping adapter for grass stones and large-seized slabs (in pairs)		1,100 (500)	30 (14)	41600176
VZ-H-UNI-GBL ①	Rubber gripper with larger inside height			10 (4.4)	41600151



VZ-H-UNI-FG



VZ-H-UNI-RG



GR-150

Slipform for Concrete Backfill of Curbs GR-150 – standardized backfill in minutes

The GR puts an end to laborious backfill work on the construction site. DIN 18318 mandates slip formed backfill.

- Cam lever releases and tightens casing sheet
- Can be adjusted to all conventional curb stones
- Tamper included as standard
- **Saves time and concrete!**

Type	Length of form sheet in (mm)	Thickness of backfill in (mm)	Thickness of kerb stones in (mm)	Dead Weight lbs (kg)	Order-Number
GR-150 ①	59 (1,500)	6 (150)	3 1/4 - 7 3/4" (80 - 200)	75 (33)	51000066
KS-GR-150 ①	Link rod for slipform			2 (1)	41000241

GUTTERFIX RF-H Screeding System for lean concrete – perfect gutter bedding

Professional tool for roadwork. Eliminates time consuming conventional removal with shovels.

- Ball-bearing mounted rollers for ease of adjustment and accuracy
- Adjustable to all conventional curb stone thicknesses and heights

Type	Working Width max. in (mm)	Suitable for Kerb Thickness in (mm)	Ground Level from Top of Kerb in (mm)	Dead Weight lbs (kg)	Order-Number
RF-H ①	max. 19 3/4" (500)	4 3/4" – 7 3/4" (120 - 200)	2 3/4" – 11 3/4" (70 - 300)	30 (13)	51000064



RF-H

① Durable surface protection by galvanizing

8 Mechanical Installation





VM-X-PAVERMAX

*Paving machine VM-X-PAVERMAX premium with laying clamp HVZ-UNI-II

VM-X-PAVERMAX 360° panoramic view meets maximum laying comfort

May we introduce: VM-X-PAVERMAX, the new reference class in paver laying machines. It combines a completely new sense of space with pioneering technologies—and makes work more comfortable and efficient than ever before.

All we need to say is: 360° panoramic view with full glazing. Sensational stability with a load capacity of up to 700 kg. And, on request, a wide range of automatic programs for even more efficient laying of all standard interlocking block laying units.

VM-X-PAVERMAX premium: Fully equipped with all comfort and automatic features, such as adjustable comfort seat with air suspension, heated seats, decoupled comfort cab, 5" touch screen and articulated boom.

There are many reasons to choose the VM-X-PAVERMAX

Hydraulic endless rotary head: Position stone layers without restrictions thanks to the 360° endless rotary head.

Pendulum damping: Reduces strong vibrations of the attachments and increases the laying comfort.

Articulated boom with two joints: Enables a pickup height for picking up two packages stacked on top of each other (up to 71 in).

Windshield wiper: Clear view of the laying area even in the rain.

Decoupled cabin: Even fewer vibrations noticeable in the interior.

Panoramic rear window: Full visibility not only to the front, left and right: thanks to the curved rear window, you also have an optimum view to the rear.

Wide range of attachments: Paving stones, curbs or large format patio slabs—no problem with the right attachments.

Vent window: The front windshield's popout window provides good air circulation and helps with communication with colleagues in the laying area.

Easy to maintain: All parts relevant for maintenance are freely accessible.

Type	Description	Dead Weight lbs (kg)	Order-Number
VM-X-PAVERMAX premium	Fully equipped with all comfort and automatic features, such as adjustable comfort seat with air suspension, heated seats, decoupled comfort cab, 5" touch screen and articulated boom	3,530 (1,600)	51500025
VM-X-PAVERMAX comfort	Equipped with fully enclosed, decoupled comfort cab, standard adjustable seat with mechanical suspension, 2.4" screen and standard boom	3,530 (1,600)	51500026
VM-X-PAVERMAX standard	Equipped with partially enclosed, decoupled operator's cab, standard adjustable seat with mechanical suspension, 2.4" screen and standard boom	3,310 (1,500)	51500027
VM-X-PAVERMAX basic	Entry-level model with partially enclosed operator's cab, standard adjustable seat with mechanical suspension, 2.4" screen and standard boom	3,200 (1,450)	51500028



VM-X-PAVERMAX premium



VM-X-PAVERMAX comfort



VM-X-PAVERMAX standard



VM-X-PAVERMAX basic



Make yourself comfortable.

All controls are ergonomically arranged and both the steering wheel and the seat can be conveniently adjusted individually.

Speaking of seats: The comfort seat of the premium variant is equipped with seat heating, air suspension and longitudinal damping.



All controls are ergonomically arranged and both the steering wheel and the seat can be conveniently adjusted individually.

Speaking of seats: The comfort seat of the premium variant is equipped with seat heating, air suspension and longitudinal damping.



Hydraulic Installation Clamps HVZ – Built-in ease of use, efficiency guaranteed!

Increase your laying performance now with Probst hydraulic installation clamps - it's worth it! Are you laying more than 50,000 square feet a year? If so you should seriously think about an installation clamp from Probst. The clever Probst installation clamps pay off even at smaller sites and areas.

Hydraulic Installation Clamp HVZ-UNI-II – robust, versatile and even easier to adjust

- It can be used in conjunction with the laying machine VVM-301/401/203/204 as well as other carriers which provide two hydraulic circuits to operate the clamp. The main and side clamps are controlled directly from the carrier
- Universally adjustable main gripping width beared on a maintenance-free steel-polyamide guideway
- Adjustable side gripper for the exact shaping of the installation pattern (shaping device)
- Height adjustable stops for adjusting the gripping depth for different thickness of blocks
- Independent steel grippers – ensuring a firm grip on single blocks when carrying large sets of blocks. The steel gripper length of 50 mm is variable up to about 1,350 mm
- Setting off the main and side clamping width made simple and easy without tools by using scale pointers
- The side clamping arms swing up completely in order to allow laying close to a wall sideways without any gap
- The powerful side clamp achieves easy shifting (3 x greater than with the HVZ-UNI) of undentated pavers into the running bond
- Gripping depths and height of the support wheels can be adjusted without tools easy and quickly
- Pushing-off technology ADV, integrated as a standard feature, guarantees installation complying with the regulations
- Low deadweight at 225 kg



HVZ-UNI-II

Type	Main Gripping Width W in (mm)	For paver thickness* in (mm)	Side Gripping Width L in (mm)	Working Load Limit WLL lbs (kg)	Dead Weight lbs (kg)	Order-Number
HVZ-UNI-II** for VM-203/204/301 ①	23-50 (580 - 1,260)	2 - 6¾" (50 - 160)	38 - 57" (960 - 1,440)	880 (400)	495 *** (225)	51400036

* Dependent upon the condition of the spacers and the quality of the stones.

** Equipped as standard for operation with 2 hydraulic circuits. That means, the carrier has to supply 2 hydraulic circuits.

*** without hydraulic rotator and swing damper

Accessories:

Type	Description	Dead Weight lbs (kg)	Order-Number
HVZ-UNI-II-PEA	Set of PE supports for height adjustment	23 (10.5)	41400986

- New suspension – enabling the clamp to hang with less movement
- Also available: HVZ herring bone 45° - the ideal solution for bigger areas of herring bone pattern. This type of clamp handles 45° packed layers of stones and allows an installation without filling gaps by adding stones.

Requirements for hydraulic operation:

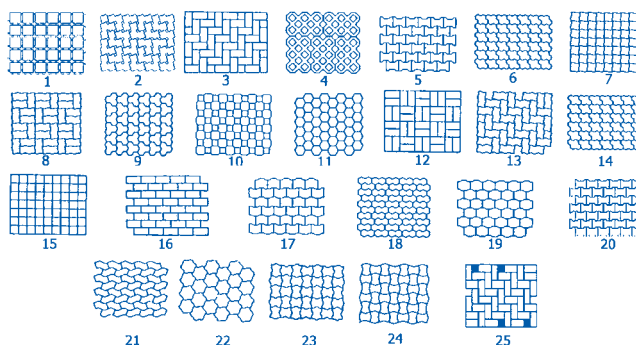
(Operating hydraulics of the carrier)

HVZ-UNI-II / HVZ-UNI-II-EK

- Volumetric flow (l/min), usable min. 15, optimal 25, max. 75
- Working pressure (bar), usable min. 200, max. 320
- Backflow pressure: max. 20 bar

Mechanical installation allows for a multitude of design possibilities!

It depends on the right installation clamp. This paver formation is suitable for all mechanical installation with all clamps by Probst. We have also the right solution for specialised types of stones and installations samples – talk to us!



The stone formations 16 – 20 are suitable for mechanical installation by the special adapter. The stone formations 21 – 25 are suitable for mechanical installation by special adapter. For other stone formations (not shown), please send in a mould layout.

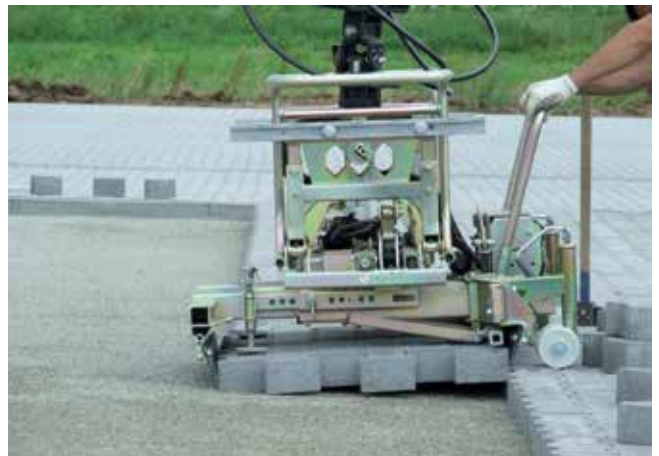
① Durable surface protection by galvanizing

...with the hydraulic excavator add-on clamp unit made by Probst

Mechanical Installation

Mechanical installation using an excavator with a hydraulic installation clamp has many advantages:

- A reduction in downtime as the excavator can be used more frequently on-site
- Fully automated movement sequences equals easy operation for experienced excavator operators. Both grab and laying processes are governed by one control lever
- The excavator can lay blocks efficiently and quickly without moving its position because of its broad reach and swivel movement
- Low acquisition costs
- Even a mini-excavator with more than 2,5 tons can install pavers
- Increased profitability for the excavator
- Areas particularly suitable for excavator slab laying are: footpaths and cycle tracks, parking spaces and agricultural road construction
- High-quality installation thanks to ADV pushing-off device.
- Comes as standard on HVZ-ECO
- Clamp can be adjusted quickly and easily to the dimensions of the units to be installed; no additional tools needed
- Clamp can be applied easily via the pendulum-mounted set-down rollers
- Increased utilisation thanks to the hydraulic continuous 360° rotary motor with free-wheel capability, fitted as standard



Slab grab used in combination with excavator

German Patent

Hydraulic Installation Clamp HVZ-ECO – especially suitable for attaching to mini excavators

HVZ-ECO – especially designed for mechanical paver installation with smaller mini excavators.

Multifunctional with high performance and cleverly thought out hydraulic control: only one hydraulic circuits is required to run all motion sequences including the automatic shifting of rectangular pavers into the running bond.

Fitted onto a paving installation machine, the automatic programme sequence allows even inexperienced drivers to achieve good laying performance very quickly. The single-circuit control is started/stopped simply using the intersection control lever or electric joystick on the paving installation machine.

- Equipment for shifting H-stones on request
- Equipped like the HVZ-GENIUS-II as standard
- Due to high-tensile material and innovative design the dead weight of the HVZ-ECO clamp is reduced to approx. 227 kg
- The slim construction offers a good overall view
- Better pick up and installation due to the adjustment possibilities at the attachment



HVZ-ECO

Type	Main Gripping Width W in (mm)	For paver thickness* in (mm)	Side Gripping Width L in (mm)	Working Load Limit WLL lbs (kg)	Dead Weight lbs (kg)**	Order-Number
HVZ-ECO®	22¾ - 49¾" (580 - 1,260)	2 - 6¾" (50 - 160)	37¾ - 57" (960 - 1,440)	880 (400)	approx. 500 (227)	51400034

* Dependent upon the condition of the spacers and the quality of the stones.

** without hydraulic rotator, C-Profiles and suspension.

Requirements for hydraulic operation:

(Operating hydraulics of the carrier)

HVZ-ECO

- Volumetric flow (l/min), usable min. 25, optimal 35 – 40, max. 80
- Working pressure (bar), usable min. 180, optimal 200, max. 320
- Backflow pressure: max. 10 bar

Minimum excavator operating weight

- from approx. 2,5 – 2,8t

(Operating weight may vary depending on excavator type and form. No binding specifications: must be co-ordinated in the individual case)

Accessories:

Type	Description	Dead Weight lbs (kg)	Order-Number
HVZ-ABA	Support for excavator adapter	10 (5.3)	41401008
HVZ-ECO-PEA	Set of PE supports for height adjustment	2 (0.8)	41401058



Installation clamp in combination with Mini-excavator

🔧 Durable surface protection by galvanizing

9 Blades



Professional Series



Professional Series

Professional Series JAWs Diamond Blades can cut soft, abrasive, concrete pavers, very hard fired clay pavers, natural stone or concrete wall block.

- Premium diamond blade
- Slanted gullet to help remove slurry
- Extra cooling holes allow wet or dry performance
- Combination of segmented & turbo segments
- 14 mm rim segment

Type	Dead-Weight lbs (kg)	Order-Number
(1) 14" Professional Blade (14 mm Rims)	4.2 (1.9)	41850015
(5+) 14" Professional Blade (14 mm Rims)	-	41850015
(10+) 14" Professional Blade (14 mm Rims)	-	41850015

Inferno Series



Inferno Series

Inferno series JAWs Diamond Blades are designed for wet/dry cutting with good cutting speed and good blade life.

- Great quality diamond blade
- Slanted gullet to help remove slurry
- Combination of segmented & turbo segments
- 15 mm rim segment

Type	Dead-Weight lbs (kg)	Order-Number
(1) 14" Inferno Blade (15 mm Rims)	4.2 (1.9)	41850024
(5+) 14" Inferno Blade (15 mm Rims)	-	41850024
(10+) 14" Inferno Blade (15 mm Rims)	-	41850024

Contractor Series



Contractor Series

Contractor series JAWs Diamond Blades can cut soft, abrasive, concrete pavers, very hard fired clay pavers, natural stone or concrete wall block.

- High quality diamond blade
- Combination of segmented & turbo segments for perfect combo speed & life
- 14 mm rim segment

Type	Dead-Weight lbs (kg)	Order-Number
(1) 14" Contractor Blade (14 mm Rims)	4.2 (1.9)	41850022
(5+) 14" Contractor Blade (14 mm Rims)	-	41850022
(10+) 14" Contractor Blade (14 mm Rims)	-	41850022

* 10" and 12" Blades available on www.probst-handling.us



SAFEFLEX SF – the innovative clamping fixture for cutting stone safely

The risk of cuts can be reduced considerably with the SAFEFLEX SF. It can secure building materials such as cobblestones and natural flagstones quickly and safely. This makes cutting with the angle grinder easier, safer and more precise.

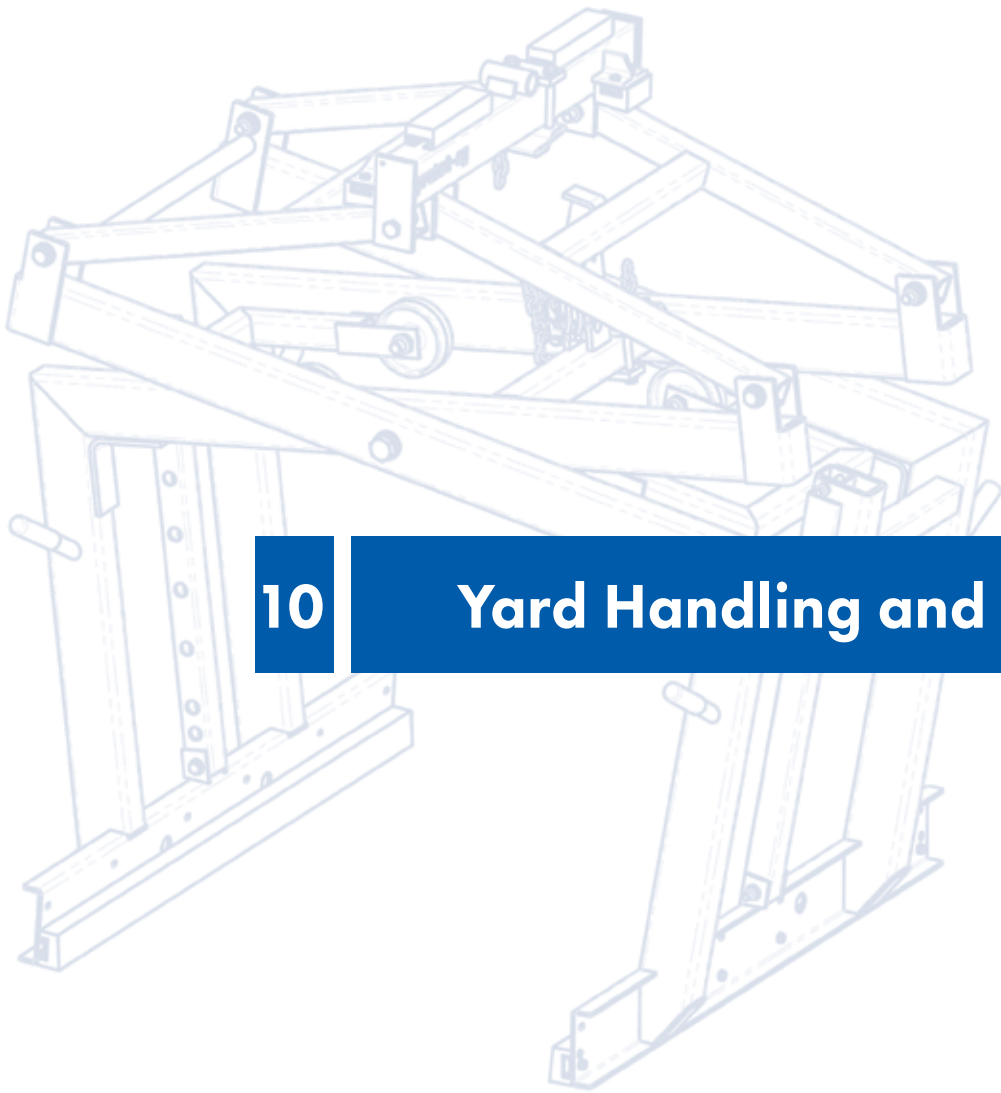
To secure the building material, the user pushes on the top clamping element with one foot. When the user takes their foot off the non-slip tread, springs push the clamping elements apart again and the building material can be removed.

- Non-slip mat to prevent stones from sliding sideways
- Fast and simple adjustment of stone thickness in 10 mm increments using 2 lateral locking bars
- Individually adjustable height of the SF with 4 screws that can be turned in on the bottom
- Suitable for right and left-handed use
- No sliding of building materials while cutting
- Fast fixation without additional tools
- Saves material since smaller “offcuts” can be safely secured, even with a small supporting surface
- Easy to transport since the SAFEFLEX is much smaller than a wet cutting bench for example
- Elevation of the material being cut, so cutting wheel does not go into the ground

Type	Clamping range in (mm)	Height adjustment grid in (mm)	Dead Weight lbs (kg)	Order-Number
SF *	1¼ – 6¼" (30-160)	10 (¼")	7.7 (17)	51210001

German Patent





10

Yard Handling and Roof Elements



STAZ - SLC (Selective Layer Clamp)

The Probst SLC is a special design of our proven and reliable STAZ-Series. The STAZ-SLC allows an operator to select and clamp one or several horizontal layers of pavers/blocks/slabs at-a-time for loading partial pallets.

- Inside Height Adjustment: 19 ¾ - 27 ½ (500 - 700 mm)
- Gripper Length: 49 ¼ (1,250 mm)
- Opening Range: 14 ½ - 54 (370 - 1,370 mm)



STAZ - SLC

Type	Length of Gripper in (mm)	Inside Height in (mm)	Opening Range in (mm)	Lifting Capacity lbs (kg)	Dead-Weight lbs (kg)	Order-Number
STAZ - SLC	49 1/4 (1,250)	19¾ - 27½ (500-700)	14½ - 54 (370 - 1,370)	3,300 (1,500)	680 (310)	57050015



PROBST Heavy-Duty Hydraulic Paver Clamps

STAZ-Series Clamps are used throughout the world for efficient handling of pavers and blocks without pallets. Multiple configurations so please call to discuss your specific application. Configurations range to clamps that handle up to (4) cubes at-a-time. STAZ-Series Clamps are designed for the difficult conditions of a concrete manufacturing environment.

Features include:

- Welded construction of the structural steel profile.
- Unique "Parallel" clamp design Parallel design provides greater flexibility to load trucks, an ability to handle more than (1) cube at a time, uniform distribution of clamping force and simple, low-cost maintenance.
- Low-maintenance Polymer Slide Bearings. Guaranteed for 5 years.
- Modular design allows customization to match specific applications





FieldCLAMP SG

Scissor Grab SG – the traditional mechanical grab to move block packs around the jobsite

- Fast transfer of un-palletized paving stone or kerb stone packs with vertical strapping (each row) from the storage to the installation site; saves time and money
- With automatic release (refer to page 72)
- The height-adjustable support allows transport even of individual kerb layers

NEW: In the event of wear on the outer ends of the rubber grippers, it is also possible to replace only these end areas.

Optional available accessories: fork pockets ET-D/DB to insert stacking forks, eyelet EH for hoist operation, safety net SSN for above-ground operation



* The gripping range indicates the minimum and maximum pack measurements, which can be handled with this clamp

FieldCLAMP™ SG

FieldCLAMP is an ideal standard duty clamp for saving cost by handling pavers without pallets. For use on construction sites, on delivery trucks, and in smaller distribution yards, the FieldCLAMP is a durable and versatile mechanical clamp that features automatic clamp and release operation as well as rotating fork sleeves.

Operation is simple and reliable with little maintenance.

- Inside Height Adjustment: 0" - 23 1/2" (60 cm)
- Gripper Length: 47 1/4" (120 cm)

Type	Opening Range in (cm)	Lifting Capacity lbs (kg)	Dead-Weight lbs (kg)	Order-Number
FieldCLAMP	15 - 43 1/4 (38 - 110)	3,950 (1,800)	536 (243)	018003



SG

Type	Gripping Range * W in (mm)	Inside Height E in (mm)	Gripper Length L in (mm)	Working Load Limit WLL lbs (kg)	Dead Weight lbs (kg)	Order-Number
SG-60-PGL2	15 3/4 - 43 (400 - 1,100)	23 1/2" (600)	47 (1,200)	4,000 (1,800)	420 (190)	53100415
SG-80-PGL2	15 3/4 - 43 (400 - 1,100)	31 1/2" (800)	47 (1,200)	4,000 (1,800)	510 (230)	53100380
SG-80-MAXI-PGL2	27 1/2 - 47 (700 - 1,200)	31 1/2" (800)	47 (1,200)	4,000 (1,800)	530 (240)	53100416
SG-100-PGL2	27 1/2 - 47 (700 - 1,200)	39 (1,000)	47 (1,200)	4,400 (2,000)	840 (380)	53100284

Type	Working Load Limit WLL lbs (kg)	Order-Number
ET-D, with additional lifting eye for crane hook	5,500 (2,500)	43100411
ET-D/B	5,500 (2,500)	43100373
EH-3000, lifting eye for crane hook operation	6,600 (3,000)	40110086
SSN - 1,5/1,3/1,0 safety net for SG-60, SG-80, SG-80-MAXI, SG-100	4,000 (1,800)	45200061

Roofing Element Clamp DEZ-UNI

The universal clamp for clay and concrete roof tiles.

With only one device, two rows of clay roof tiles or three rows of concrete roof tiles in horizontal position can be transported quickly and safely on the roof.

- With ring-eyelet for crane hook
- Adjustable height-support
- Exchangeable rubber grippers as gripping elements
- With automatic release (refer to page 72)



DEZ-UNI

Type	Gripping Range*W in (mm)	Height E in (mm)	Gripper Length L in (mm)	Working Load Limit WLL lbs (kg)	Dead Weight lbs (kg)	Order- Number
DEZ-UNI	26 – 43½" (660 - 1,000)	5½ – 8¼" (140/210)	45 (1,140)	1,320 (600)	165 (75)	55100034

KSZ-300-UNI



Limestone Clamp KSZ-300-UNI

Especially designed for the transport of lime-stone elements by a tower crane.

- Clamp grips steplessly – an adjustment of the gripping width is no longer necessary
- With crane eye
- Semi-automatic – for manual switch over from "full" to "empty"

Type	Gripping Range* W in (mm)	Height E in (mm)	Gripper Length L in (mm)	Working Load Limit WLL lbs (kg)	Dead Weight lbs (kg)	Order- Number
KSZ-300-UNI	29½ – 39 (750 - 1,000)	11¾" (300)	39 (1,000)	2,750 (1,250)	210 (95)	55200033

* The gripping range indicates the minimum and maximum pack measurements, which can be handled with this clamp

making hard work easier

Probst USA

Probst Inc.
8626 Hollander Dr
Franksville, WI 53126
USA
Office: 952-226-6400
sales@probst-handling.com

Probst Canada

Probst Handling Equipment Corp.
1208 Gorham St. /Unit #3
Newmarket, Ontario L3Y8Y9
Canada
Office: 437-600-8816
sales@probst-handling.ca